

NO. E1FA-3643

ISSUED: NOV.2011

REVISED: SEP.2012

SERVICE INFORMATION

: \_\_\_\_\_



# **HOSHIZAKI SELF-CONTAINED CUBER**

**MODEL   IM-30CNE  
          IM-30CNE-25  
          IM-21CNE  
          IM-30CWNE**

## **PARTS LIST**

[HE, GRAM]

**E1FA, E1FA-D001, -D002, -D003, -D004, -D020, -D021**

A-1 NOV. 2011  
B-0 JAN. 2012  
B-1 OCT. 2012

## AUXILIARY CODE

U - 1

The auxiliary code is the first two characters in the serial number. The first character indicates the production year. Years progress or regress in alphabetical order. The series of letters and skipped letters depend on UL listing, production, and model. See the auxiliary code(s) and corresponding year(s) on the front cover.

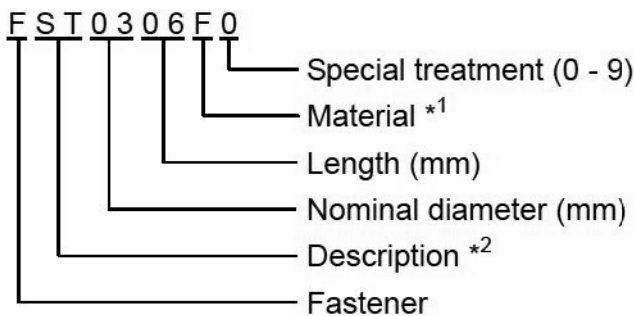
The second character indicates significant part changes within the same year. Base is "1" and this number advances for each change. If there is no significant part change at the turn of the year, this number starts from "0."

## MARKS LOCATED UNDER THE AUXILIARY CODE

- = Part deleted.
- x = Part deleted and replaced by "o" part.
- o = New part in place of "x" part.

## FASTENER PART NUMBER

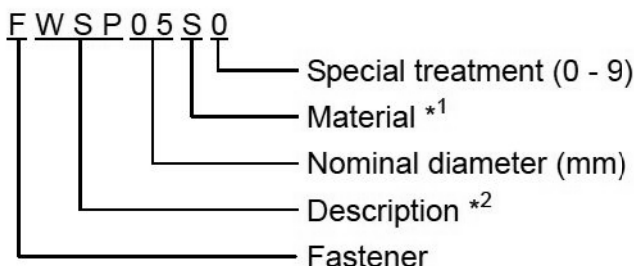
### SCREWS



\*1 **Material**

- F: Steel
- S: Austenitic stainless steel
- M: Martensitic stainless steel
- B: Copper alloy
- P: Polycarbonate
- N: Polyamide
- V: PVC
- A: ABS
- X: Polyacetal
- L: Aluminum

### NUTS & WASHERS

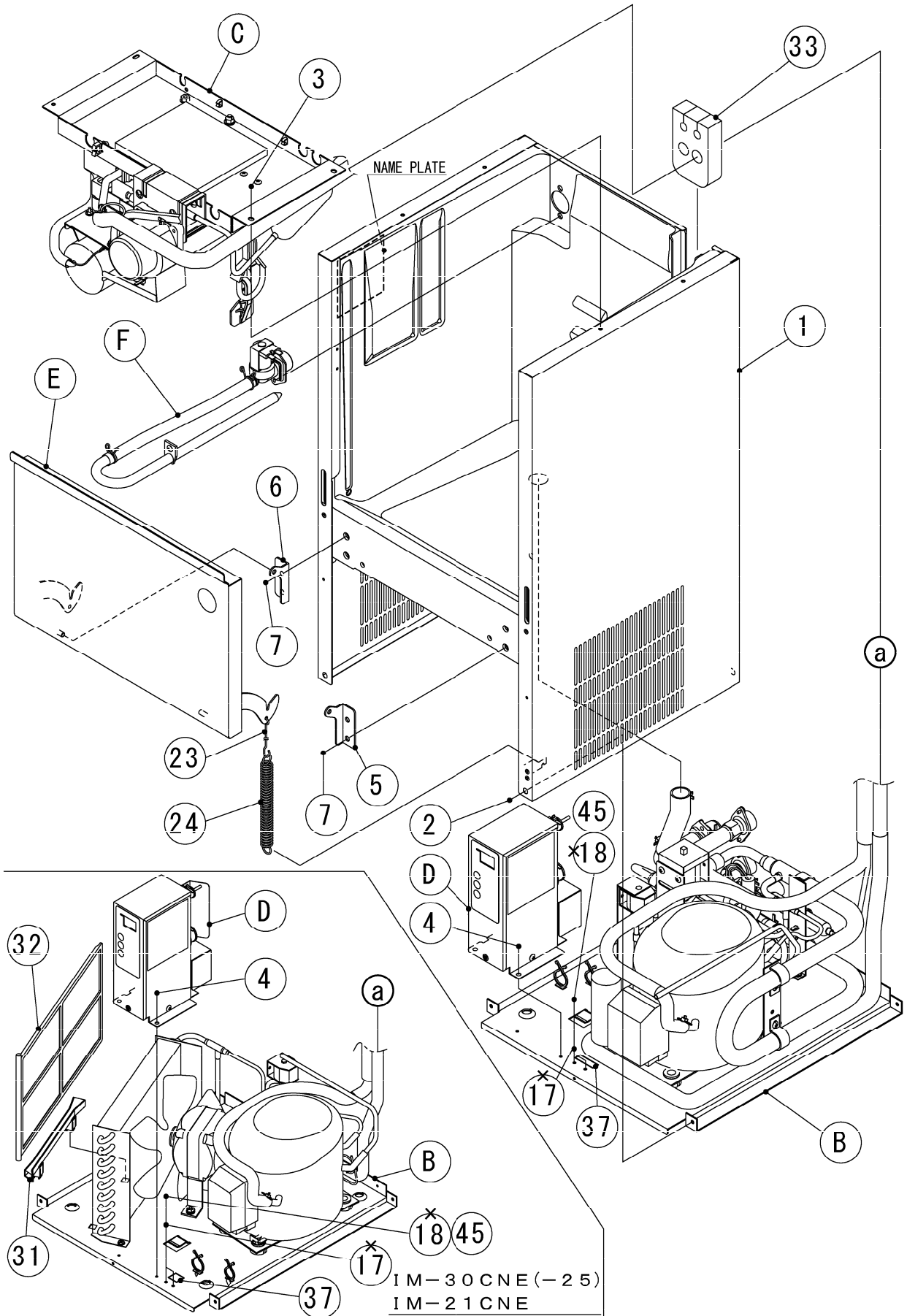


\*2 **Description**

- First letter
- S: Machine screw
- T: Tapping screw
- M: Wood screw
- B: Bolt
- W: Washer
- N: Nut

IM-30CNE  
 IM-30CNE-25  
 IM-30CWNE  
 IM-21CNE

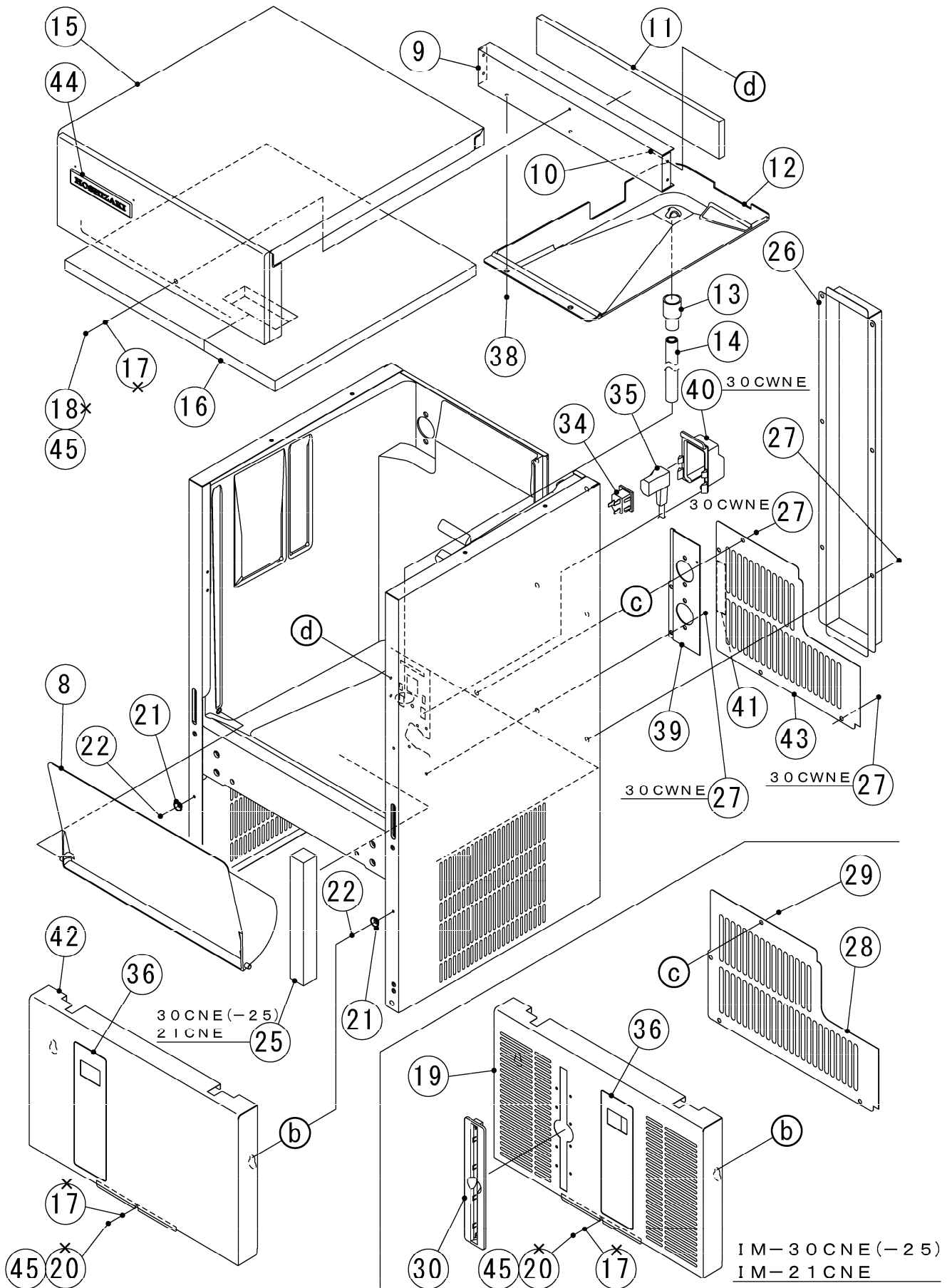
A. ICE CUBBER ASSY (1/2) (A-1) and later



IM-30CNE (-25)  
 IM-21CNE

IM-30CNE  
 IM-30CNE-25  
 IM-30CWNE  
 IM-21CNE

A. ICE CUBBER ASSY (2/2) (A-1) and later



HE,GRAM

| MODEL: <b>IM-30CNE(-25)</b><br><b>IM-30CWNE</b><br><b>IM-21CNE</b> |  |                          |             | TITLE: <b>A.ICE CUBER ASSY</b> |     |  |  |
|--|--|--------------------------|-------------|--------------------------------|-----|--|--|
| INDEX NO.  | DESCRIPTION                                      | MATERIAL OR MODEL NUMBER | PART NUMBER | REQ'D NUMBER                   |     |  |  |
|  |  |                          |             | A-1 B-0                        | B-1 |  |  |
| B  | REFRIGERATION ASSY                               | (IM-30CWNE)              | 1H4798A01   | 1                              | -   |  |  |
|  |  |                          | 1H5199A01   |                                | 1   |  |  |
|  |  |                          | 1H4822A01   | 1                              | -   |  |  |
|  |  |                          | 1H5200A01   |                                | 1   |  |  |
| C  | ICE MAKING MECHANISM ASSY                        |                          | 1H4799A01   | 1                              | 1   |  |  |
| D  | CONTROL BOX ASSY                                 |                          | 2X0389A01   | 1                              | -   |  |  |
|  |  |                          | 2X1209A01   |                                | 1   |  |  |
| E  | DOOR ASSY  |                          | 3Y5551A01   | 1                              | 1   |  |  |
| F  | WATER CIRCUIT ASSY                               | (IM-30CWNE)              | 3Y5553A01   | 1                              | 1   |  |  |
|  |  |                          | 3Y5553A02   | 1                              | 1   |  |  |
| 1  | UNIT FRAME                                       |                          | 1H4797G01   | 1                              | -   |  |  |
|  |  |                          | 1H4797G02   |                                | 1   |  |  |
| 2  | TRUSS HEAD TAPPING SCREW T2                      | (IM-30CWNE)              | 1H4796Z01   | 4                              | 4   |  |  |
|  | HEX.TAPPING SCREW W - FLANG                      |                          | 1H4920Z01   | 4                              | 4   |  |  |
| 3  | TRUSS HEAD TAPPING SCREW T2                      |                          | FT20410S0   | 4                              | 4   |  |  |
| 4  | FLANGE BOLT (S-TITE)                             |                          | FTR0408M0   | 2                              | 2   |  |  |
| 5  | HINGE (RIGHT)                                    |                          | 4H2583-01   | 1                              | 1   |  |  |
| 6  | HINGE (LEFT)                                     |                          | 4H2584-01   | 1                              | 1   |  |  |
| 7  | HEX HEAD BOLT<br>(SPRING WASHER AND FLAT WASHER) |                          | FBK0616S0   | 4                              | 4   |  |  |
| 8  | SLOPE  |                          | 3H3628-01   | 1                              | 1   |  |  |
| 9  | FRONT FRAME                                      |                          | 3H1678-10   | 1                              | 1   |  |  |
| 10   | RIVET  | SSD42SSBS(t1.6~3.2)      | 7170-0002   | 4                              | 4   |  |  |
| 11   | INSULATION - FRONT FRAME                         |                          | 4H2317-01   | 1                              | 1   |  |  |
| 12   | DRAIN PAN  |                          | 2H1442-01   | 1                              | 1   |  |  |
| 13   | DRAIN TUBE                                       |                          | 4H2585-01   | 1                              | 1   |  |  |
| 14   | DRAIN PIPE                                       |                          | 4Y7493P02   | 1                              | 1   |  |  |
| 15   | FRONT PANEL(UPPER)                               | (HE) Including No. 44    | 3Y5548G01   | 1                              | 1   |  |  |
|  |  | (GRAM)                   | 3Y5548001   | 1                              | 1   |  |  |
| 16   | INSULATION - TOP                                 |                          | 3Y5954P01   | 1                              | 1   |  |  |
| 17   | SPRING WASHER                                    |                          | FWSP04S0    | 4                              | -   |  |  |
| 18   | TRUSS HEAD MACHINE SCREW                         |                          | FST0408S0   | 3                              | -   |  |  |
| 19   | FRONT PANEL(LOWER)                               | (IM-30CNE(-25),21CNE)    | 3Y5555G01   | 1                              | 1   |  |  |
| 20   | TRUSS HEAD TAPPING SCREW<br>(S-TITE)             |                          | FTS0408M0   | 1                              | -   |  |  |

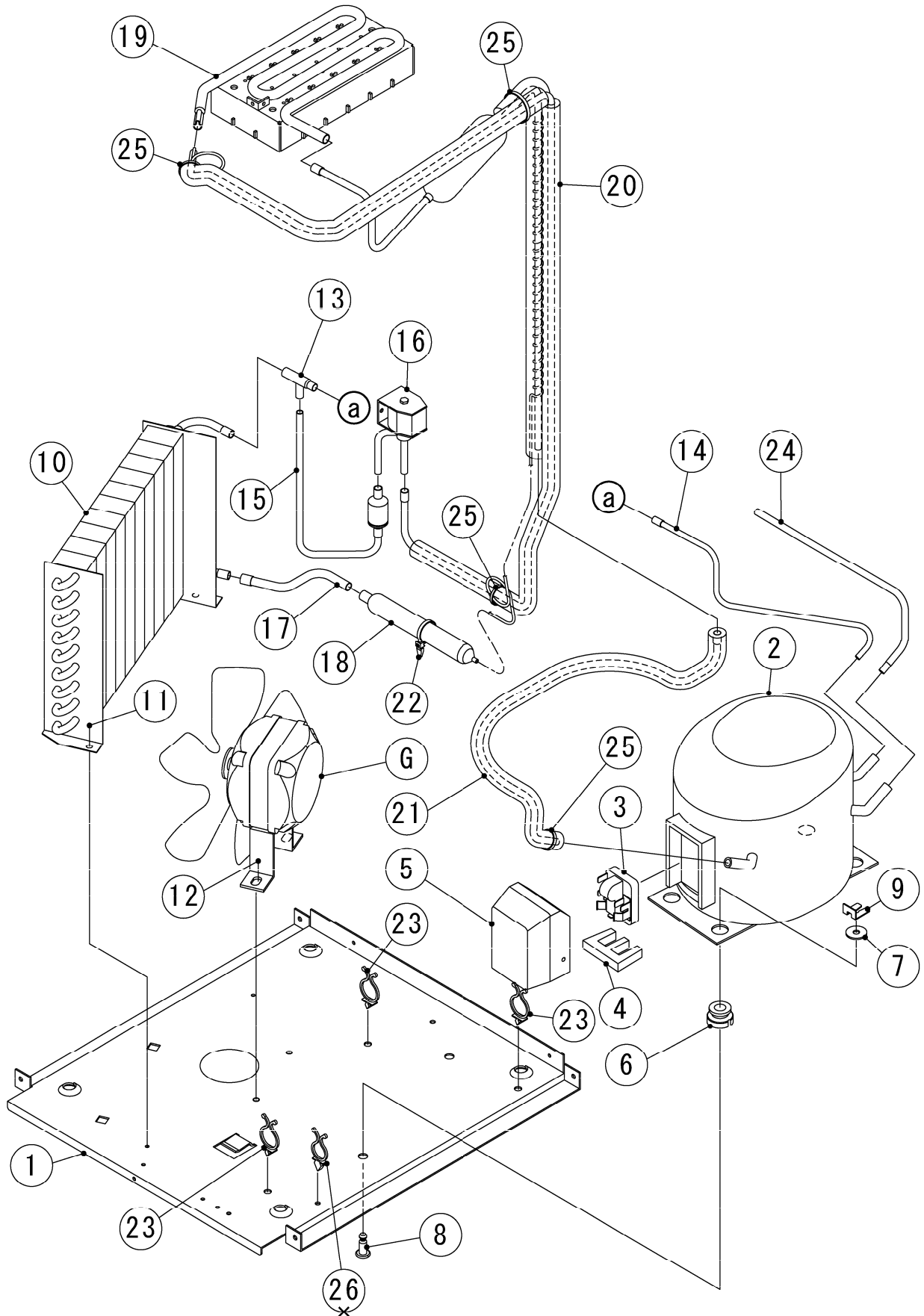
HE,GRAM

| MODEL: <b>IM-30CNE(-25)</b><br><b>IM-30CWNE</b><br><b>IM-21CNE</b> |                                   |                          | TITLE: <b>A.ICE CUBER ASSY</b> |              |     |  |  |
|--|-----------------------------------|--------------------------|--------------------------------|--------------|-----|--|--|
| INDEX NO.  | DESCRIPTION                       | MATERIAL OR MODEL NUMBER | PART NUMBER                    | REQ'D NUMBER |     |  |  |
|  |                                   |                          |                                | A-1 B-0      | B-1 |  |  |
| 21   | TAPER COLLAR                      |                          | 4H0171-01                      | 2            | 2   |  |  |
| 22   | RIVET                             | SSD42BS                  | 7170-0001                      | 2            | 2   |  |  |
| 23   | HOOK                              |                          | 404060-08                      | 1            | 1   |  |  |
| 24   | SPRING                            |                          | 4H0491-01                      | 1            | 1   |  |  |
| 25   | SEAL(B)                           | (IM-30CNE(-25),21CNE)    | 4Y7171P01                      | 1            | 1   |  |  |
| 26   | COVER - PIPE                      |                          | 3Y5868M01                      | 1            | 1   |  |  |
| 27   | TRUSS HEAD TAPPING SCREW T2       |                          | FT20408F0                      | 6            | 6   |  |  |
|  |                                   | (IM-30CWNE)              |                                | 12           | 12  |  |  |
| 28   | REAR PANEL                        | (IM-30CNE(-25),21CNE)    | 3Y5575M01                      | 1            | 1   |  |  |
| 29   | TRUSS HEAD TAPPING SCREW T2       | (IM-30CNE(-25),21CNE)    | FT20408M0                      | 4            | 4   |  |  |
| 30   | FILTER - GUIDE                    | (IM-30CNE(-25),21CNE)    | 2H9010P01                      | 1            | 1   |  |  |
| 31   | FILTER - RAIL                     | (IM-30CNE(-25),21CNE)    | 3Y3497P01                      | 1            | 1   |  |  |
| 32   | AIR FILTER                        | (IM-30CNE(-25),21CNE)    | 3Y3496G01                      | 1            | 1   |  |  |
| 33   | INSULATION - BIN                  |                          | 4Y7416P01                      | 1            | 1   |  |  |
| 34   | CONNECTOR                         |                          | P00245-02                      | 1            | 1   |  |  |
| 35   | POWER CORD                        | CONT Plug                | P00240-01                      | 1            | 1   |  |  |
| 36   | OPERATION LABEL                   |                          | 375116L02                      | 1            | 1   |  |  |
| 37   | LABEL - GROUND                    |                          | 450452-02                      | 1            | 1   |  |  |
| 38   | TRUSS HEAD TAPPING SCREW (S-TITE) |                          | FTS0408M0                      | 2            | 2   |  |  |
| 39   | BRACKET - FITTING                 | (IM-30CWNE)              | 4Y7181M01                      | 1            | 1   |  |  |
| 40   | COVER - CONNECTOR                 |                          | 2X0271P01                      | 1            | 1   |  |  |
| 41   | LABEL - CONNECTION                | (IM-30CWNE)              | 464541-01                      | 1            | 1   |  |  |
| 42   | FRONT PANEL (LO)                  | (IM-30CWNE)              | 3Y6001G01                      | 1            | 1   |  |  |
| 43   | REAR PANEL                        | (IM-30CWNE)              | 3Y5619M01                      | 1            | 1   |  |  |
| 44   | EMBLEM                            | (HE)                     | 340842-01                      | 1            | 1   |  |  |
|  | EMBLEM-GRAM                       | (GRAM)                   | 4Y6123L01                      | 1            | 1   |  |  |
| 45   | PAN HEAD SCREW SW                 |                          | FSK0408S0                      |              | 4   |  |  |
|  |                                   |                          |                                |              |     |  |  |
|  |                                   |                          |                                |              |     |  |  |
|  |                                   |                          |                                |              |     |  |  |
|  |                                   |                          |                                |              |     |  |  |
|  |                                   |                          |                                |              |     |  |  |
|  |                                   |                          |                                |              |     |  |  |
|  |                                   |                          |                                |              |     |  |  |

IM-30CNE  
IM-30CNE-25  
IM-21CNE

B. REFRIGERATION ASSY

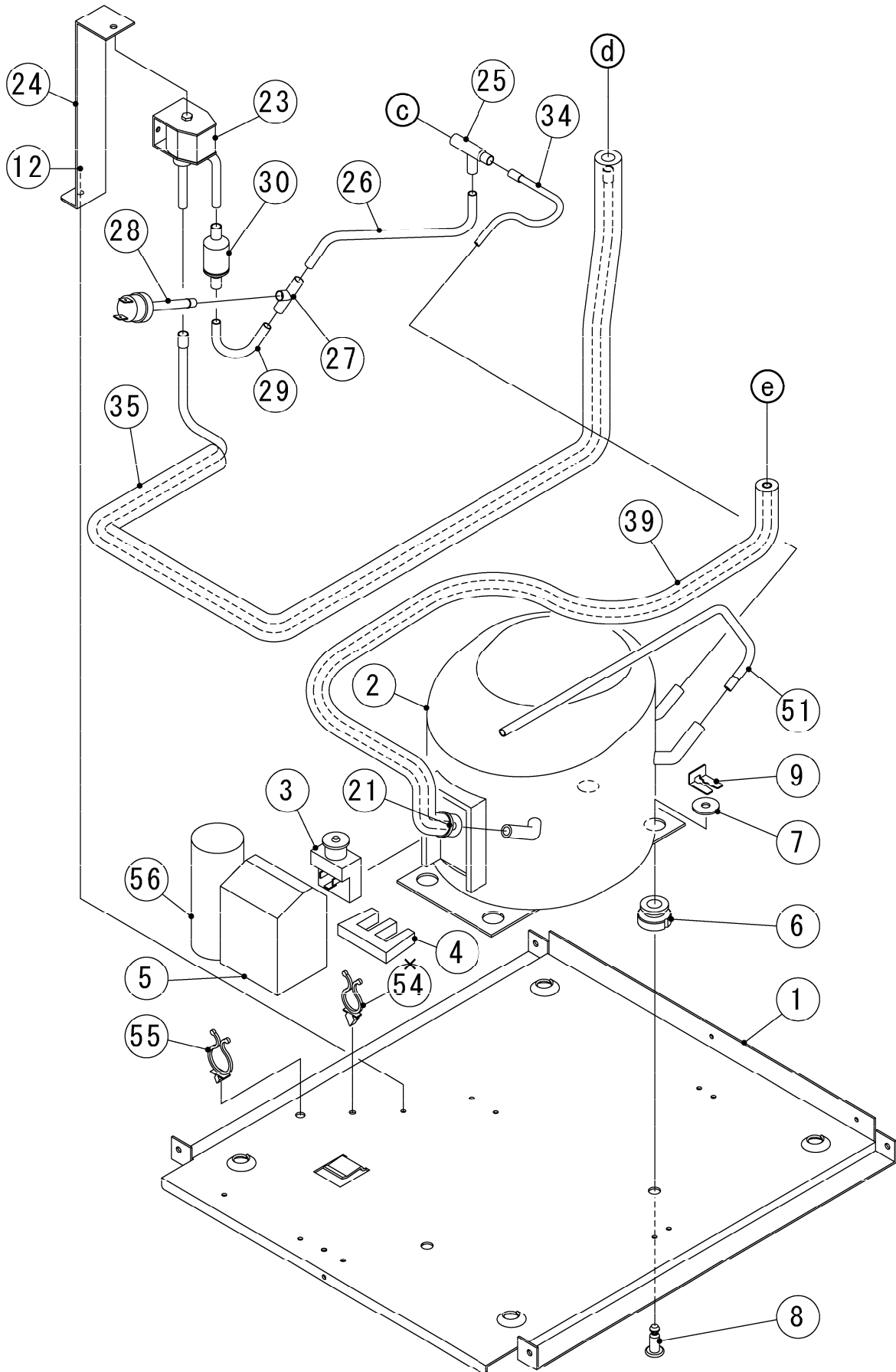
(A-1) and later

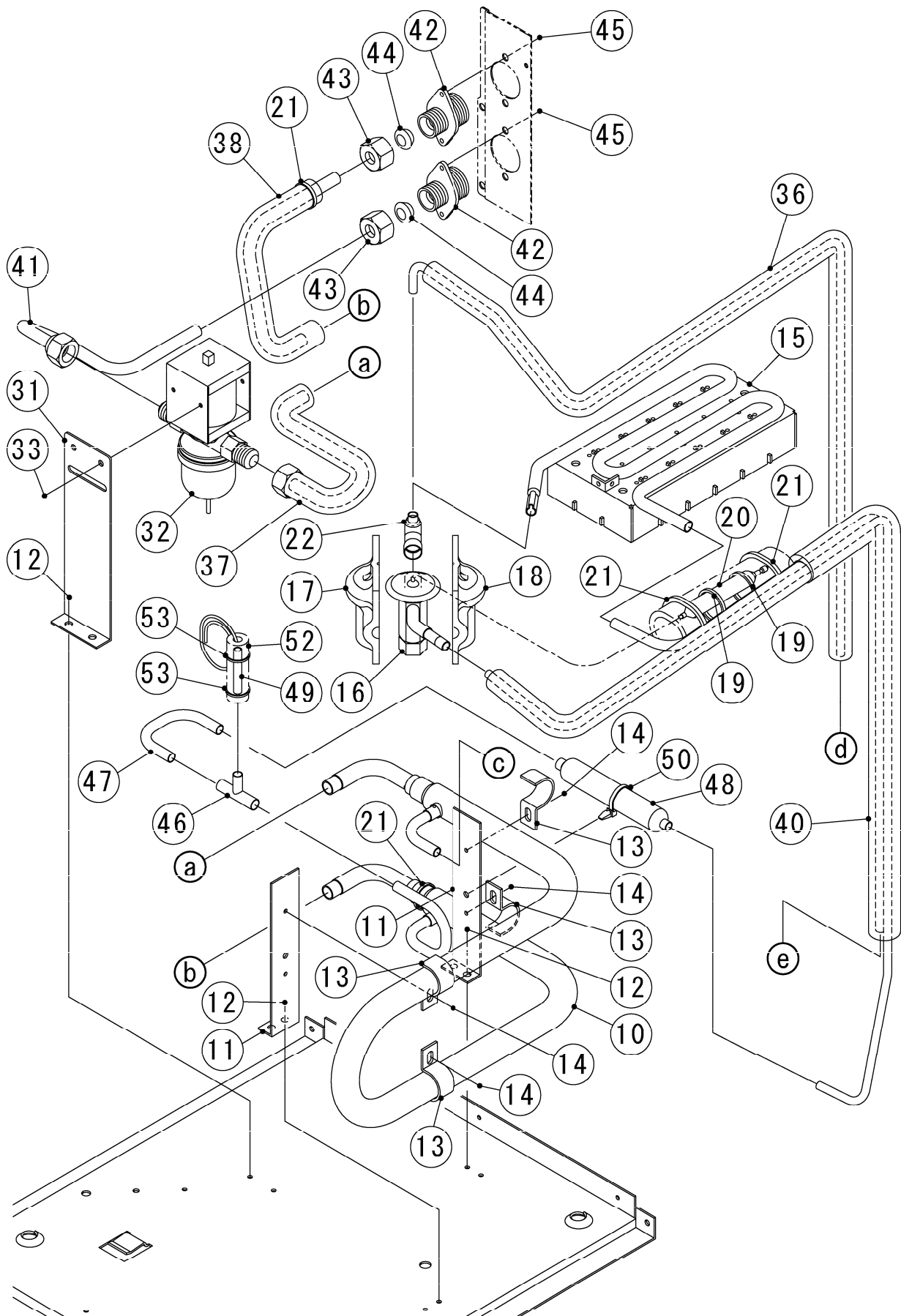


HE,GRAM

| MODEL: <b>IM-30CNE(-25)</b><br><b>IM-21CNE</b> |  |                          |             | TITLE: <b>B.REFRIGERATION ASSY</b> |     |  |  |
|--|--|--------------------------|-------------|------------------------------------|-----|--|--|
| INDEX NO.                                      | DESCRIPTION                                      | MATERIAL OR MODEL NUMBER | PART NUMBER | REQ'D NUMBER                       |     |  |  |
|  |  |                          |             | A-1 B-0                            | B-1 |  |  |
| G  | FAN MOTOR ASSY                                   |                          | 3Y5554A01   | 1                                  | 1   |  |  |
| 1  | BASE   |                          | 1H4820M01   | 1                                  | -   |  |  |
|  |  |                          | 1H5190M01   |                                    | 1   |  |  |
| 2  | COMPRESSOR                                       |                          | 450900-01   | 1                                  | 1   |  |  |
| 3  | PTC STARTING DEVICE                              |                          | 450901-01   | 1                                  | 1   |  |  |
| 4  | CORD RELIEF                                      |                          | 450899-01   | 1                                  | 1   |  |  |
| 5  | COVER  |                          | 450896-01   | 1                                  | 1   |  |  |
| 6  | RUBBER GROMMET                                   |                          | 450897-01   | 4                                  | 4   |  |  |
| 7  | WASHER CUSHION                                   |                          | 450894-01   | 2                                  | 2   |  |  |
| 8  | STEEL PIN  |                          | 452255-01   | 2                                  | 2   |  |  |
| 9  | CLIP   |                          | 452256-01   | 2                                  | 2   |  |  |
| 10   | CONDENSER - AIR COOLED                           |                          | P02261-01   | 1                                  | 1   |  |  |
| 11   | FLANGE BOLT (S-TITE)                             |                          | FTQ0410M0   | 2                                  | 2   |  |  |
| 12   | HEX HEAD BOLT<br>(SPRING WASHER AND FLAT WASHER) |                          | FBK0612F0   | 2                                  | 2   |  |  |
| 13   | TEE  |                          | 420041-03   | 1                                  | 1   |  |  |
| 14   | COPPER TUBE(H)                                   |                          | 3Y5618M01   | 1                                  | 1   |  |  |
| 15   | COPPER TUBE A - HOT GAS                          |                          | 4Y7178G01   | 1                                  | 1   |  |  |
| 16   | HOT GAS VALVE                                    |                          | P02539-01   | 1                                  | 1   |  |  |
| 17   | COPPER TUBE - DRIER                              |                          | 4Y7173M01   | 1                                  | 1   |  |  |
| 18   | DRIER  |                          | P00007-01   | 1                                  | 1   |  |  |
| 19   | EVAPORATOR                                       |                          | 3H9020G02   | 1                                  | 1   |  |  |
|  |  | (IM-30CNE-25)            | 3H3881G01   | 1                                  | 1   |  |  |
| 20   | HEAT EXCHANGER ASSY                              |                          | 3Y5633G01   | 1                                  | 1   |  |  |
| 21   | COPPER TUBE (L)                                  |                          | 3Y5621G01   | 1                                  | 1   |  |  |
| 22   | TIE  |                          | 457167-01   | 1                                  | 1   |  |  |
| 23   | CLAMP  | No.2674                  | 427902-02   | 2                                  | 3   |  |  |
| 24   | PROCESS TUBE                                     |                          | 4Y7174M01   | 1                                  | 1   |  |  |
| 25   | NYLON TIE  | CV-100                   | 7920-0002   | 4                                  | 4   |  |  |
| 26   | CLAMP  | No.4253                  | 427902-05   | 1                                  | -   |  |  |
|  |  |                          |             |                                    |     |  |  |
|  |  |                          |             |                                    |     |  |  |
|  |  |                          |             |                                    |     |  |  |
|  |  |                          |             |                                    |     |  |  |







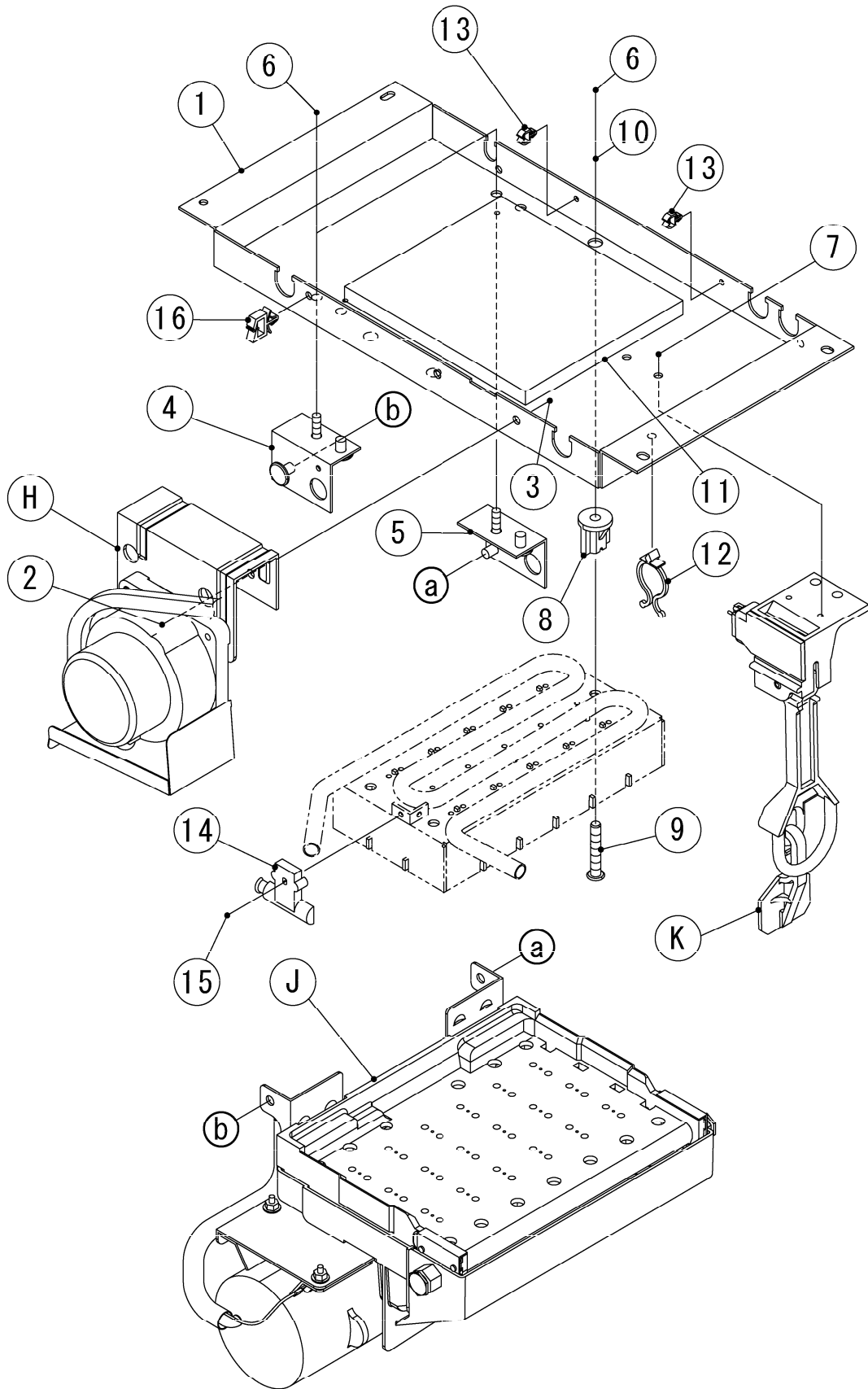
HE,GRAM

| MODEL: <b>IM-30CWNE</b> |                             |                          |             | TITLE: <b>B.REFRIGERATION ASSY</b> |     |  |  |
|-------------------------|-----------------------------|--------------------------|-------------|------------------------------------|-----|--|--|
| INDEX NO.               | DESCRIPTION                 | MATERIAL OR MODEL NUMBER | PART NUMBER | REQ'D NUMBER                       |     |  |  |
|                         |                             |                          |             | A-1 B-0                            | B-1 |  |  |
| 1                       | BASE                        |                          | 2X0450M01   | 1                                  | -   |  |  |
|                         |                             |                          | 2X1211M01   |                                    | 1   |  |  |
| 2                       | COMPRESSOR                  |                          | 450900-01   | 1                                  | 1   |  |  |
| 3                       | STARTING RELAY              |                          | 451264-01   | 1                                  | 1   |  |  |
| 4                       | CORD RELIEF                 |                          | 450899-01   | 1                                  | 1   |  |  |
| 5                       | COVER                       |                          | 450896-01   | 1                                  | 1   |  |  |
| 6                       | RUBBER GROMMET              |                          | 450897-01   | 4                                  | 4   |  |  |
| 7                       | WASHER CUSHION              |                          | 450894-01   | 2                                  | 2   |  |  |
| 8                       | STEEL PIN                   |                          | 452255-01   | 2                                  | 2   |  |  |
| 9                       | CLIP                        |                          | 452256-01   | 2                                  | 2   |  |  |
| 10                      | CONDENSER - WATER COOLED    |                          | 2X0722G01   | 1                                  | 1   |  |  |
| 11                      | BRACKET - CONDENSER         |                          | 4H5731-01   | 2                                  | 2   |  |  |
| 12                      | FLANGE BOLT (S-TITE)        |                          | FTQ0410M0   | 7                                  | 7   |  |  |
| 13                      | CLAMP(B) - CONDENSER        |                          | 4H0622-01   | 4                                  | 4   |  |  |
| 14                      | TRUSS HEAD TAPPING SCREW T2 |                          | FT20408F0   | 4                                  | 4   |  |  |
| 15                      | EVAPORATOR                  |                          | 3H9020G02   | 1                                  | 1   |  |  |
| 16                      | EXPANSION VALVE             |                          | P00381-01   | 1                                  | 1   |  |  |
| 17                      | VALVE COVER(A)              |                          | 4Y3332-01   | 1                                  | 1   |  |  |
| 18                      | VALVE COVER(B)              |                          | 4Y3333-01   | 1                                  | 1   |  |  |
| 19                      | WIRE                        |                          | 1H4822Z01   | 2                                  | 2   |  |  |
| 20                      | INSULATION                  |                          | 4X8643-01   | 1                                  | 1   |  |  |
| 21                      | TIE                         | CV-150                   | 7920-0003   | 5                                  | 5   |  |  |
| 22                      | TEE                         |                          | 420335-01   | 1                                  | 1   |  |  |
| 23                      | HOT GAS VALVE               |                          | P02539-01   | 1                                  | 1   |  |  |
| 24                      | BRACKET - HOT GAS VALVE     |                          | 4H5186-01   | 1                                  | 1   |  |  |
| 25                      | TEE                         |                          | 420041-03   | 1                                  | 1   |  |  |
| 26                      | COPPER TUBE(D)              |                          | 4Y7361M01   | 1                                  | 1   |  |  |
| 27                      | TEE                         |                          | 417394-01   | 1                                  | 1   |  |  |
| 28                      | PRESSURE SWITCH             | R134a,R22,R404A          | 459863-01   | 1                                  | 1   |  |  |
| 29                      | COPPER TUBE(C)              |                          | 4Y7362M01   | 1                                  | 1   |  |  |
| 30                      | STRAINER                    |                          | P00008-01   | 1                                  | 1   |  |  |
| 31                      | BRACKET - WATER REGULATOR   |                          | 4Y7363M01   | 1                                  | 1   |  |  |
| 32                      | WATER REGULATOR             |                          | 448082-01   | 1                                  | 1   |  |  |
| 33                      | TRUSS HEAD MACHINE SCREW    |                          | FST0406S0   | 2                                  | 2   |  |  |
| 34                      | COPPER TUBE(A)              |                          | 4Y7364M01   | 1                                  | 1   |  |  |
| 35                      | COPPER TUBE(E) - HOT GAS    |                          | 3Y5892G01   | 1                                  | 1   |  |  |



IM-30CNE  
IM-30CNE-25  
IM-30CWNE  
IM-21CNE

C. ICE MAKING MECHANISM ASSY (A-1) and later

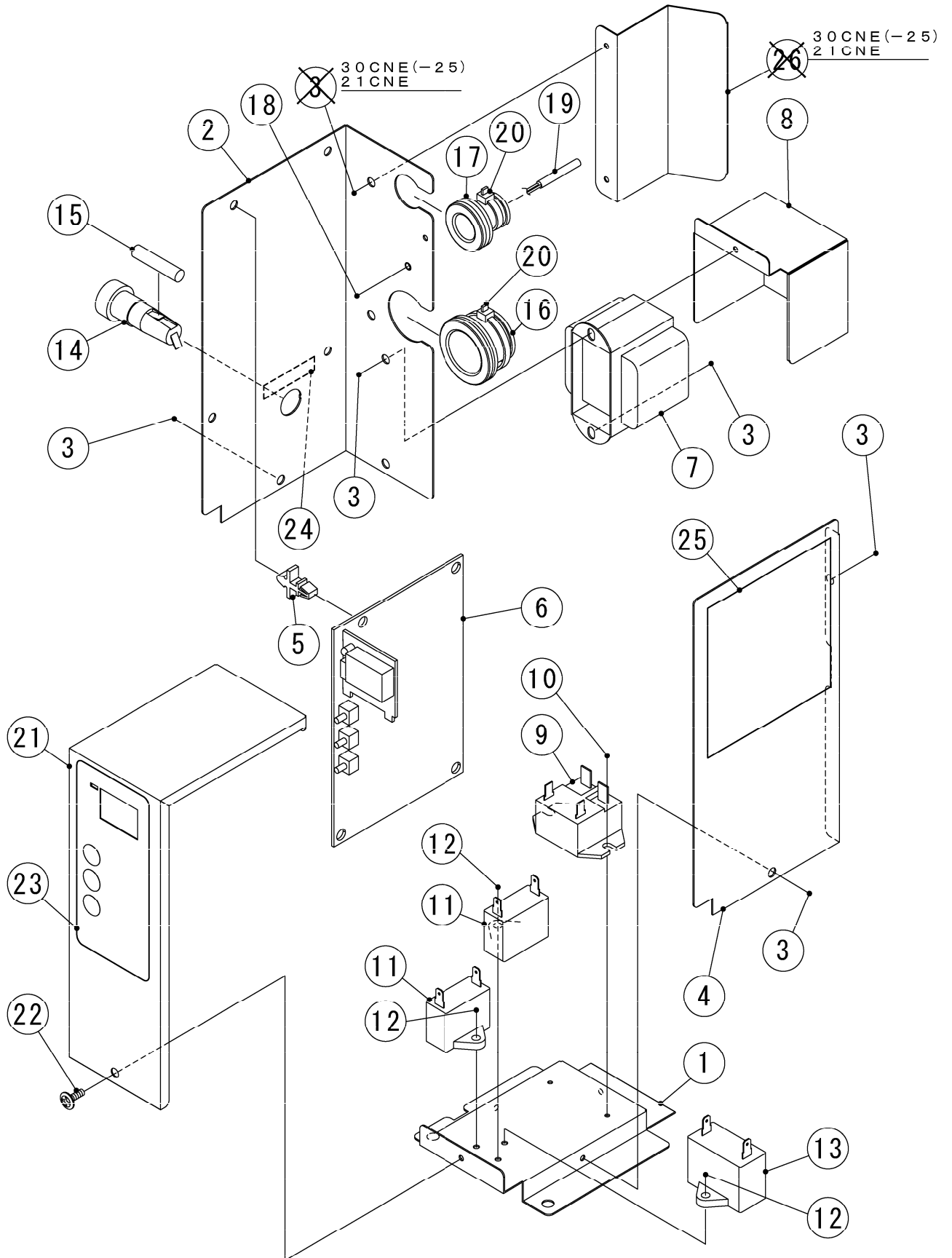




IM-30CNE  
IM-30CNE-25  
IM-30CWNE  
IM-21CNE

D. CONTROL BOX ASSY

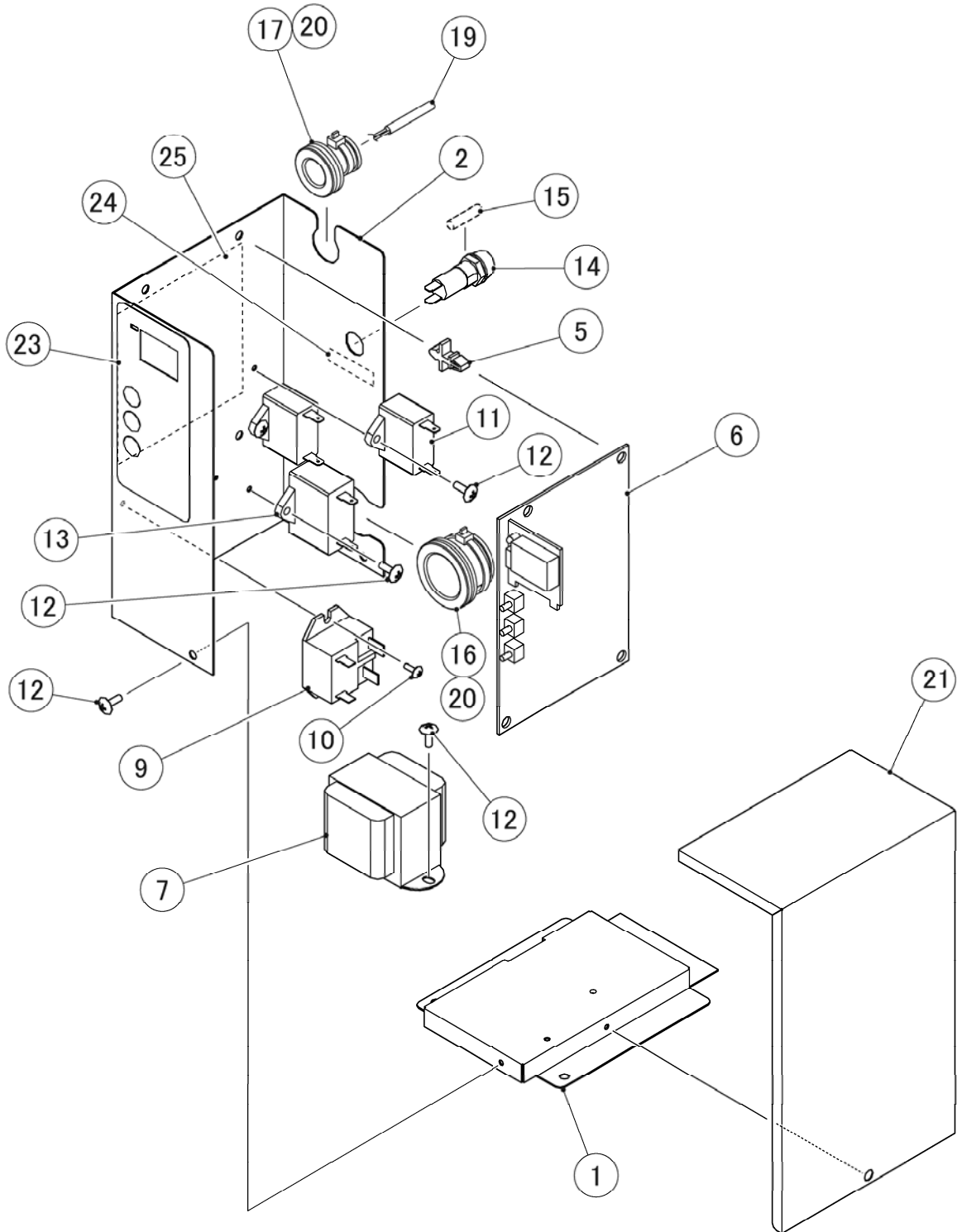
(A-1) (B-0)



IM-30CNE  
IM-30CNE-25  
IM-30CWNE  
IM-21CNE

D. CONTROL BOX ASSY

(B-1) and later





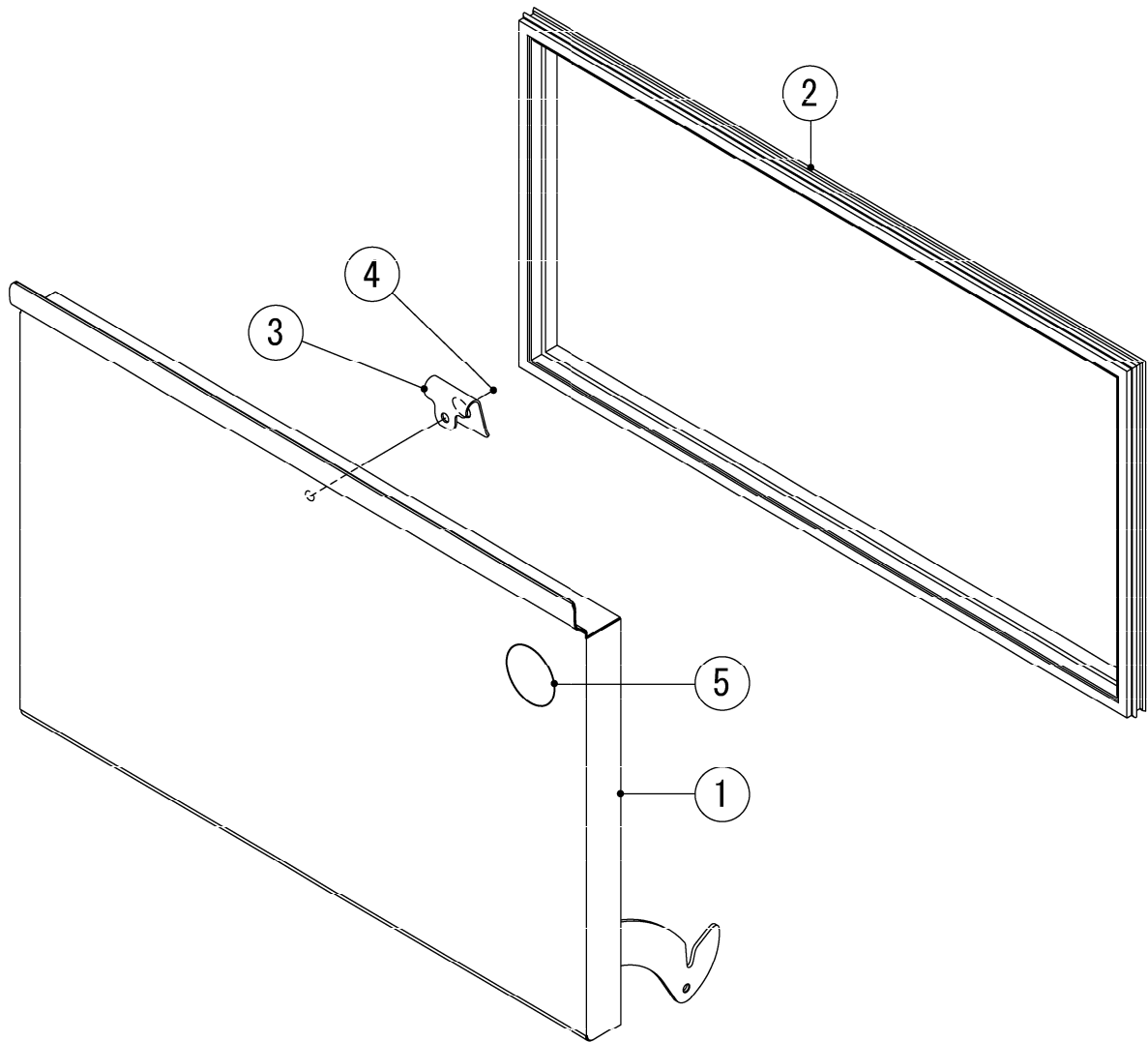
HE,GRAM

| MODEL: <b>IM-30CNE(-25)</b><br><b>IM-30CWNE</b><br><b>IM-21CNE</b> |                             |                          |             | TITLE: <b>D.CONTROL BOX ASSY</b> |     |  |  |
|--|-----------------------------|--------------------------|-------------|----------------------------------|-----|--|--|
| INDEX NO.  | DESCRIPTION                 | MATERIAL OR MODEL NUMBER | PART NUMBER | REQ'D NUMBER                     |     |  |  |
|  |                             |                          |             | A-1 B-0                          | B-1 |  |  |
| 1  | CONTROL BOX(A)              |                          | 3Y5625M01   | 1                                | -   |  |  |
|  |                             |                          | 3Y6705M01   |                                  | 1   |  |  |
| 2  | CONTROL BOX(B)              |                          | 3Y5626M01   | 1                                | -   |  |  |
|  |                             |                          | 3Y6708M01   |                                  | 1   |  |  |
| 3  | TRUSS HEAD TAPPING SCREW T2 |                          | FT20408F0   | 5                                | -   |  |  |
| 4  | CONTROL BOX(C)              |                          | 3Y5627M01   | 1                                | -   |  |  |
| 5  | BOARD SUPPORT               |                          | 414929-02   | 4                                | 4   |  |  |
| 6  | CONTROLLER BOARD            |                          | P01873-01   | 1                                | 1   |  |  |
| 7  | TRANSFORMER                 |                          | P02714-01   | 1                                | 1   |  |  |
| 8  | COVER - TRANSFORMER         |                          | 4Y7175M01   | 1                                | -   |  |  |
| 9  | POWER RELAY                 |                          | P02203-02   | 1                                | 1   |  |  |
| 10   | TRUSS HEAD TAPPING SCREW T2 |                          | FT20308F0   | 2                                | 1   |  |  |
| 11   | CAPACITOR                   |                          | P01870-01   | 2                                | 2   |  |  |
| 12   | TRUSS HEAD TAPPING SCREW T2 |                          | FT20410F0   | 3                                | 7   |  |  |
| 13   | CAPACITOR                   |                          | P02158-01   | 1                                | 1   |  |  |
| 14   | FUSE HOLDER                 |                          | P00014-01   | 1                                | -   |  |  |
|  |                             |                          | P02829-01   |                                  | 1   |  |  |
| 15   | FUSE                        |                          | P01876-01   | 1                                | -   |  |  |
|  |                             |                          | P01992-01   |                                  | 1   |  |  |
| 16   | GROMMET                     |                          | 4H2568-01   | 1                                | 1   |  |  |
| 17   | GROMMET                     |                          | 4H2568-02   | 1                                | 1   |  |  |
| 18   | TRUSS HEAD MACHINE SCREW    |                          | FST0408F0   | 1                                | -   |  |  |
| 19   | THERMISTOR - CUBE COTROL    |                          | P00350-01   | 1                                | 1   |  |  |
| 20   | TIE                         | CV-150                   | 7920-0003   | 2                                | 2   |  |  |
| 21   | CONTROL BOX COVER           |                          | 3Y5628M01   | 1                                | -   |  |  |
|  |                             |                          | 3Y6707M01   |                                  | 1   |  |  |
| 22   | SCREW                       |                          | 4Y1683-01   | 1                                | -   |  |  |
| 23   | CONTROL LABEL               |                          | 475642L01   | 1                                | 1   |  |  |
| 24   | LABEL - FUSE                |                          | 466798-01   | 1                                | 1   |  |  |
| 25   | WIRING LABEL                |                          | 3Y5635L01   | 1                                | 1   |  |  |
| 26   | PLATE - CONT                | (IM-30CNE(-25),21CNE)    | 4Y7426M01   | -                                |     |  |  |
|  |                             |                          |             |                                  |     |  |  |
|  |                             |                          |             |                                  |     |  |  |
|  |                             |                          |             |                                  |     |  |  |
|  |                             |                          |             |                                  |     |  |  |
|  |                             |                          |             |                                  |     |  |  |

IM-30CNE  
IM-30CNE-25  
IM-30CWNE  
IM-21CNE

E. DOOR ASSY

(A-1) and later



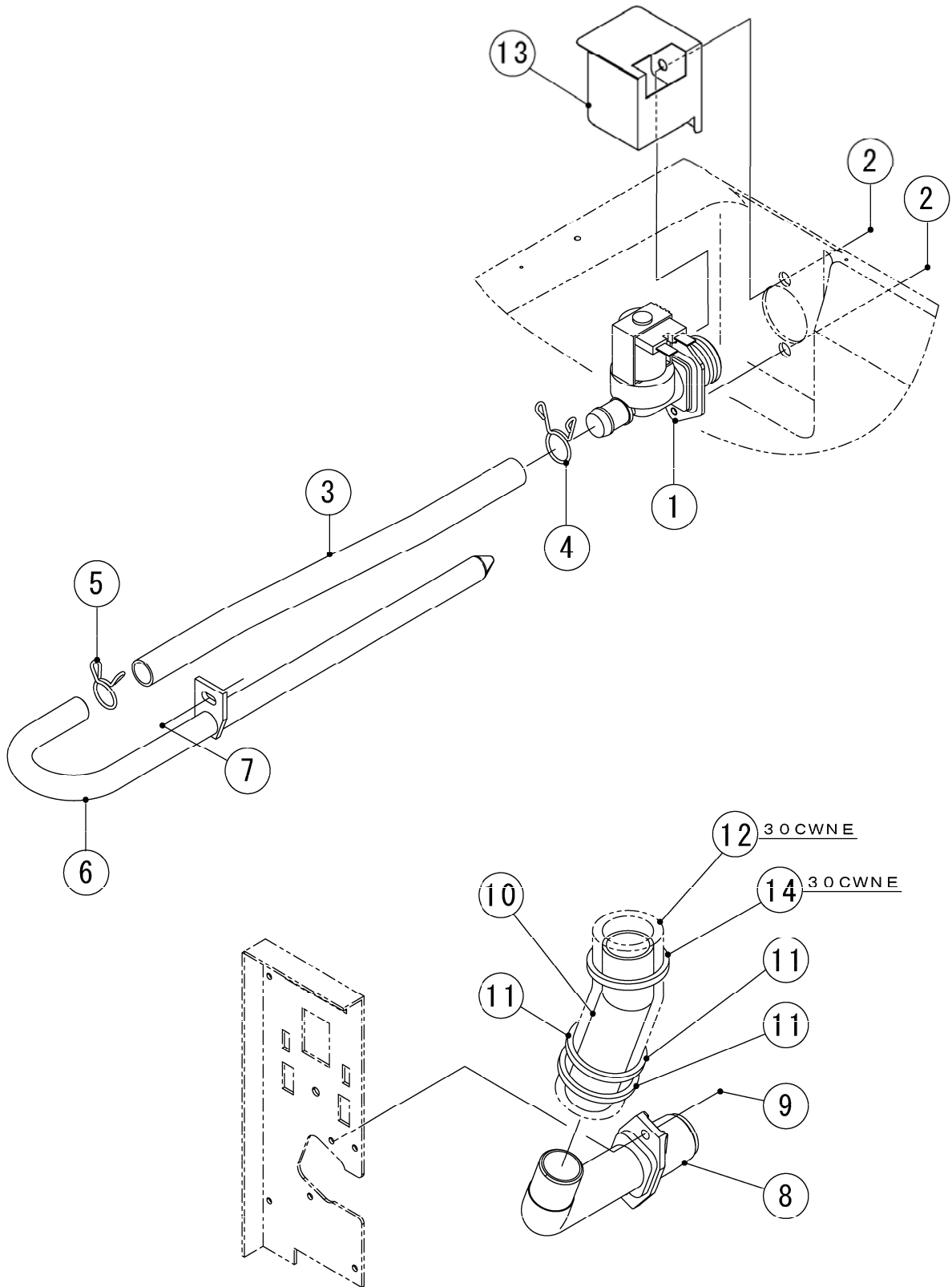
HE,GRAM

| MODEL: IM-30CNE(-25)<br>IM-30CWNE<br>IM-21CNE |                             |                          |             | TITLE:E.DOOR ASSY |     |  |  |
|---|-----------------------------|--------------------------|-------------|-------------------|-----|--|--|
| INDEX NO.                                     | DESCRIPTION                 | MATERIAL OR MODEL NUMBER | PART NUMBER | REQ'D NUMBER      |     |  |  |
|   |                             |                          |             | A-1 B-0           | B-1 |  |  |
| 1   | DOOR - INSULATION           | (HE) Including No. 5     | 3Y5552G01   | 1                 | 1   |  |  |
|   |                             | (GRAM)                   | 3Y5552001   | 1                 | 1   |  |  |
| 2   | DOOR GASKET                 |                          | 3Y6199P01   | 1                 | 1   |  |  |
| 3   | CATCH - SLOPE               |                          | 4X7644-01   | 1                 | 1   |  |  |
| 4   | TRUSS HEAD TAPPING SCREW T2 |                          | FT20408M0   | 1                 | 1   |  |  |
| 5   | LABEL - PENGUIN             | (HE)                     | 471486L01   | 1                 | 1   |  |  |
|   |                             |                          |             |                   |     |  |  |
|   |                             |                          |             |                   |     |  |  |
|   |                             |                          |             |                   |     |  |  |
|   |                             |                          |             |                   |     |  |  |
|   |                             |                          |             |                   |     |  |  |
|   |                             |                          |             |                   |     |  |  |
|   |                             |                          |             |                   |     |  |  |
|   |                             |                          |             |                   |     |  |  |
|   |                             |                          |             |                   |     |  |  |
|   |                             |                          |             |                   |     |  |  |
|   |                             |                          |             |                   |     |  |  |
|   |                             |                          |             |                   |     |  |  |
|   |                             |                          |             |                   |     |  |  |
|   |                             |                          |             |                   |     |  |  |
|   |                             |                          |             |                   |     |  |  |
|   |                             |                          |             |                   |     |  |  |
|   |                             |                          |             |                   |     |  |  |
|   |                             |                          |             |                   |     |  |  |
|   |                             |                          |             |                   |     |  |  |
|   |                             |                          |             |                   |     |  |  |
|   |                             |                          |             |                   |     |  |  |
|   |                             |                          |             |                   |     |  |  |
|   |                             |                          |             |                   |     |  |  |
|   |                             |                          |             |                   |     |  |  |
|   |                             |                          |             |                   |     |  |  |
|   |                             |                          |             |                   |     |  |  |
|   |                             |                          |             |                   |     |  |  |
|   |                             |                          |             |                   |     |  |  |
|   |                             |                          |             |                   |     |  |  |
|   |                             |                          |             |                   |     |  |  |
|   |                             |                          |             |                   |     |  |  |
|   |                             |                          |             |                   |     |  |  |
|   |                             |                          |             |                   |     |  |  |
|   |                             |                          |             |                   |     |  |  |

IM-30CNE  
IM-30CNE-25  
IM-30CWNE  
IM-21CNE

F. WATER CIRCUIT ASSY

(A-1) and later



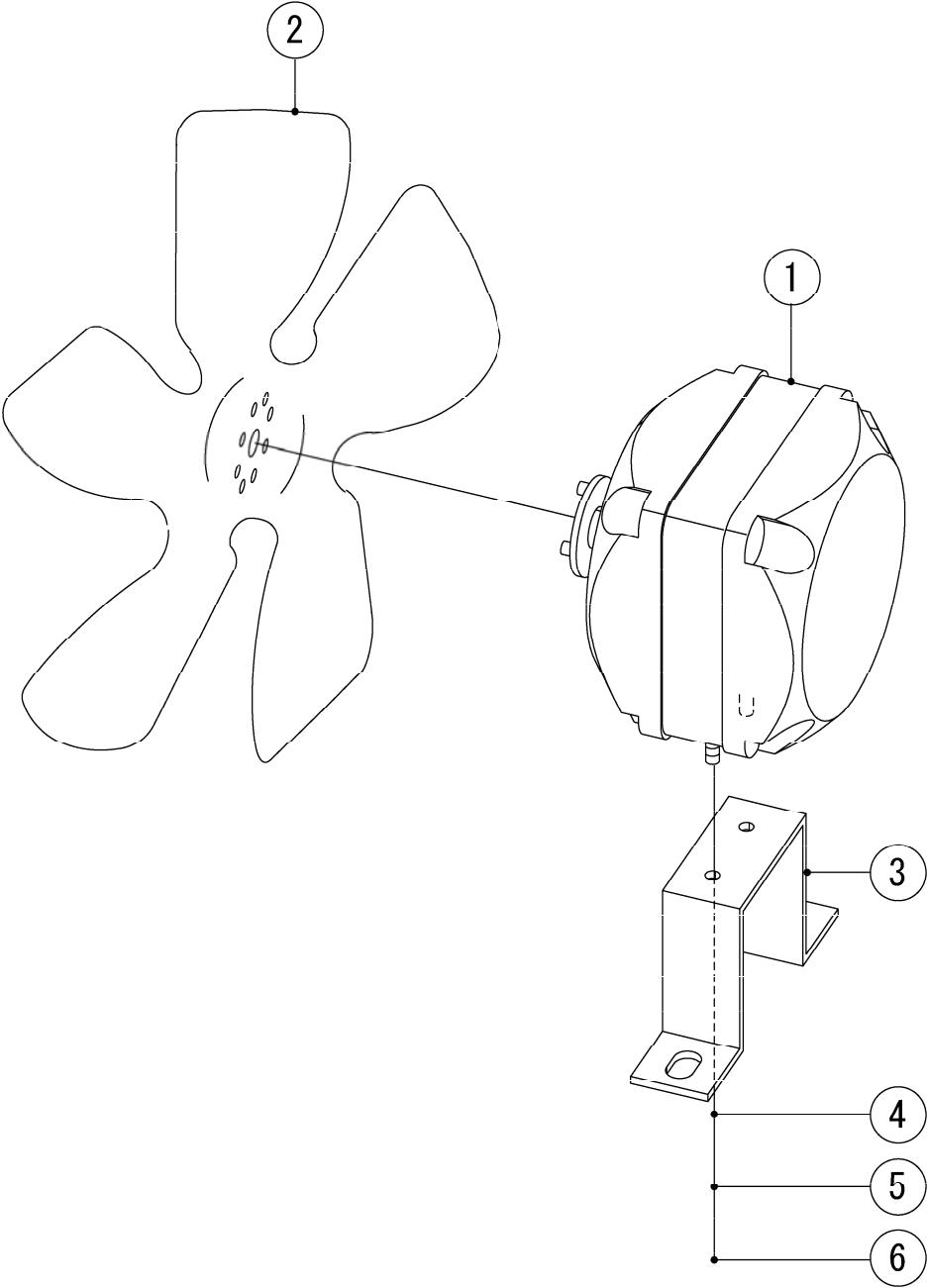
HE,GRAM

| MODEL: <b>IM-30CNE(-25)</b> |                             | TITLE: <b>F.WATER CIRCUIT ASSY</b> |             |              |     |  |  |
|-----------------------------|-----------------------------|------------------------------------|-------------|--------------|-----|--|--|
|                             |                             | <b>IM-30CWNE</b>                   |             |              |     |  |  |
|                             |                             | <b>IM-21CNE</b>                    |             |              |     |  |  |
| INDEX NO.                   | DESCRIPTION                 | MATERIAL OR MODEL NUMBER           | PART NUMBER | REQ'D NUMBER |     |  |  |
|                             |                             |                                    |             | A-1<br>B-0   | B-1 |  |  |
| 1                           | WATER VALVE                 |                                    | P02065-01   | 1            | 1   |  |  |
| 2                           | HEX SOCKET HEAD CAP SCREW   |                                    | FBX0408S0   | 2            | 2   |  |  |
| 3                           | SILICONE HOSE               |                                    | 4Y6912R03   | 1            | 1   |  |  |
| 4                           | HOSE CLAMP                  |                                    | 435934-03   | 1            | 1   |  |  |
| 5                           | HOSE CLAMP                  |                                    | 435934-02   | 1            | 1   |  |  |
| 6                           | WATER SUPPLY PIPE           |                                    | 3H9529G01   | 1            | 1   |  |  |
| 7                           | TRUSS HEAD MACHINE SCREW    |                                    | FST0408S0   | 1            | 1   |  |  |
| 8                           | DRAIN PIPE                  |                                    | 3H0394-01   | 1            | 1   |  |  |
| 9                           | TRUSS HEAD TAPPING SCREW T2 |                                    | FT20408S0   | 2            | 2   |  |  |
| 10                          | VINYL HOSE                  | 7762-2226, L=105                   | 3Y5553Z01   | 1            | 1   |  |  |
| 11                          | TIE                         | CV-150                             | 7920-0003   | 3            | 3   |  |  |
| 12                          | INSULATION TUBE             | (IM-30CWNE)                        | H72636120   | 1            | 1   |  |  |
| 13                          | COVER-WATER VALVE           |                                    | 3Y6277M01   | 1            | 1   |  |  |
| 14                          | TIE                         | (IM-30CWNE) CV-200                 | 7920-0010   | 1            | 1   |  |  |
|                             |                             |                                    |             |              |     |  |  |
|                             |                             |                                    |             |              |     |  |  |
|                             |                             |                                    |             |              |     |  |  |
|                             |                             |                                    |             |              |     |  |  |
|                             |                             |                                    |             |              |     |  |  |
|                             |                             |                                    |             |              |     |  |  |
|                             |                             |                                    |             |              |     |  |  |
|                             |                             |                                    |             |              |     |  |  |
|                             |                             |                                    |             |              |     |  |  |
|                             |                             |                                    |             |              |     |  |  |
|                             |                             |                                    |             |              |     |  |  |
|                             |                             |                                    |             |              |     |  |  |
|                             |                             |                                    |             |              |     |  |  |
|                             |                             |                                    |             |              |     |  |  |
|                             |                             |                                    |             |              |     |  |  |
|                             |                             |                                    |             |              |     |  |  |
|                             |                             |                                    |             |              |     |  |  |
|                             |                             |                                    |             |              |     |  |  |
|                             |                             |                                    |             |              |     |  |  |
|                             |                             |                                    |             |              |     |  |  |
|                             |                             |                                    |             |              |     |  |  |
|                             |                             |                                    |             |              |     |  |  |
|                             |                             |                                    |             |              |     |  |  |
|                             |                             |                                    |             |              |     |  |  |
|                             |                             |                                    |             |              |     |  |  |
|                             |                             |                                    |             |              |     |  |  |
|                             |                             |                                    |             |              |     |  |  |
|                             |                             |                                    |             |              |     |  |  |
|                             |                             |                                    |             |              |     |  |  |
|                             |                             |                                    |             |              |     |  |  |
|                             |                             |                                    |             |              |     |  |  |

IM-30CNE  
IM-30CNE-25  
IM-21CNE

G. FAN MOTOR ASSY

(A-1) and later



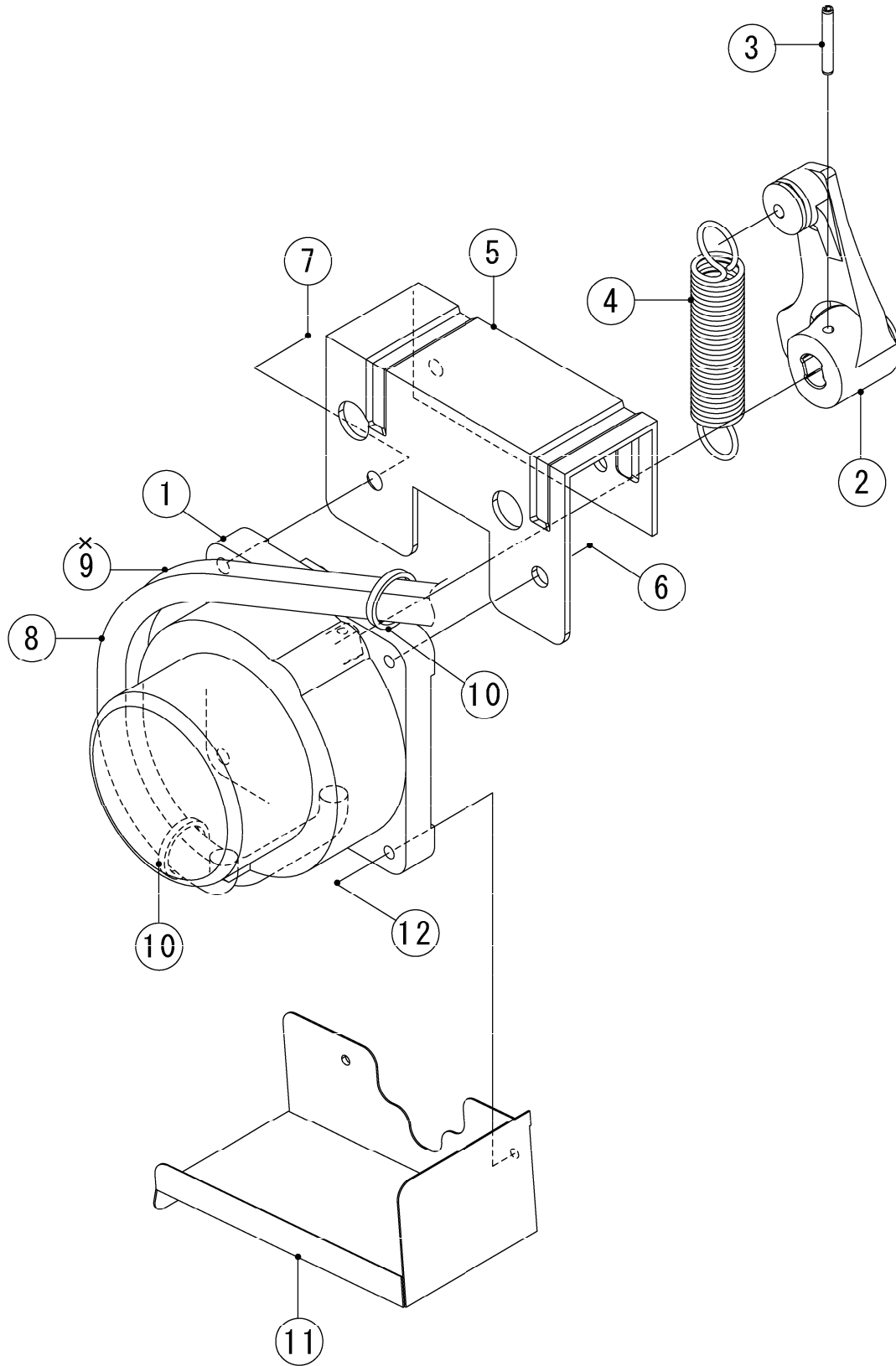
HE,GRAM

| MODEL: <b>IM-30CNE(-25)</b><br><b>IM-21CNE</b> |               |                          |             | TITLE: <b>G.FAN MOTOR ASSY</b> |     |  |  |
|--|---------------|--------------------------|-------------|--------------------------------|-----|--|--|
| INDEX NO.                                      | DESCRIPTION   | MATERIAL OR MODEL NUMBER | PART NUMBER | REQ'D NUMBER                   |     |  |  |
|  |               |                          |             | A-1 B-0                        | B-1 |  |  |
| 1  | FAN MOTOR     | EBM                      | P00156-01   | 1                              | 1   |  |  |
| 2  | FAN           |                          | 451770-01   | 1                              | 1   |  |  |
| 3  | BRACKET - FM  |                          | 3Y5970M01   | 1                              | 1   |  |  |
| 4  | FLAT WASHER   |                          | FWPL04S0    | 2                              | 2   |  |  |
| 5  | SPRING WASHER |                          | FWSP04S0    | 2                              | 2   |  |  |
| 6  | NUT           |                          | FNH104S0    | 2                              | 2   |  |  |
|  |               |                          |             |                                |     |  |  |
|  |               |                          |             |                                |     |  |  |
|  |               |                          |             |                                |     |  |  |
|  |               |                          |             |                                |     |  |  |
|  |               |                          |             |                                |     |  |  |
|  |               |                          |             |                                |     |  |  |
|  |               |                          |             |                                |     |  |  |
|  |               |                          |             |                                |     |  |  |
|  |               |                          |             |                                |     |  |  |
|  |               |                          |             |                                |     |  |  |
|  |               |                          |             |                                |     |  |  |
|  |               |                          |             |                                |     |  |  |
|  |               |                          |             |                                |     |  |  |
|  |               |                          |             |                                |     |  |  |
|  |               |                          |             |                                |     |  |  |
|  |               |                          |             |                                |     |  |  |
|  |               |                          |             |                                |     |  |  |
|  |               |                          |             |                                |     |  |  |
|  |               |                          |             |                                |     |  |  |
|  |               |                          |             |                                |     |  |  |
|  |               |                          |             |                                |     |  |  |
|  |               |                          |             |                                |     |  |  |
|  |               |                          |             |                                |     |  |  |
|  |               |                          |             |                                |     |  |  |
|  |               |                          |             |                                |     |  |  |
|  |               |                          |             |                                |     |  |  |
|  |               |                          |             |                                |     |  |  |
|  |               |                          |             |                                |     |  |  |
|  |               |                          |             |                                |     |  |  |
|  |               |                          |             |                                |     |  |  |
|  |               |                          |             |                                |     |  |  |
|  |               |                          |             |                                |     |  |  |
|  |               |                          |             |                                |     |  |  |
|  |               |                          |             |                                |     |  |  |
|  |               |                          |             |                                |     |  |  |
|  |               |                          |             |                                |     |  |  |
|  |               |                          |             |                                |     |  |  |
|  |               |                          |             |                                |     |  |  |
|  |               |                          |             |                                |     |  |  |
|  |               |                          |             |                                |     |  |  |
|  |               |                          |             |                                |     |  |  |
|  |               |                          |             |                                |     |  |  |
|  |               |                          |             |                                |     |  |  |
|  |               |                          |             |                                |     |  |  |
|  |               |                          |             |                                |     |  |  |

IM-30CNE  
IM-30CNE-25  
IM-30CWNE  
IM-21CNE

H. ACTUATOR MOTOR ASSY

(A-1) and later





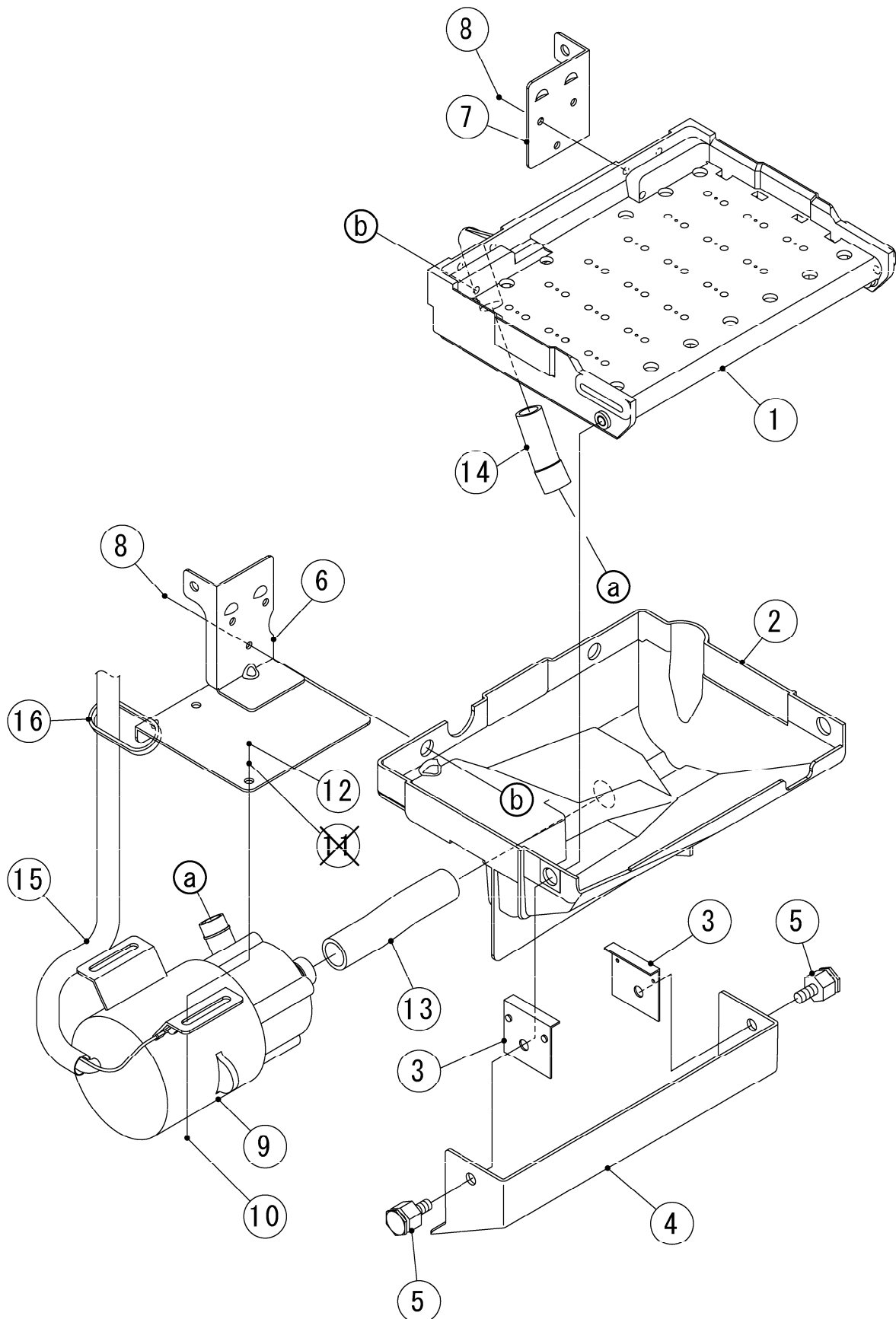
HE,GRAM

| MODEL: <b>IM-30CNE(-25)</b><br><b>IM-30CWNE</b><br><b>IM-21CNE</b> |  |                          |             | TITLE: <b>H.ACTUATOR MOTOR ASSY</b> |     |  |  |
|--|--|--------------------------|-------------|-------------------------------------|-----|--|--|
| INDEX NO.  | DESCRIPTION                                      | MATERIAL OR MODEL NUMBER | PART NUMBER | REQ'D NUMBER                        |     |  |  |
|  |  |                          |             | A-1<br>B-0                          | B-1 |  |  |
| 1  | ACTUATOR MOTOR                                   |                          | P01869-01   | 1                                   | 1   |  |  |
| 2  | CAM (A)  |                          | 3Y2185P01   | 1                                   | 1   |  |  |
| 3  | SPRING PIN                                       |                          | 712S-0322   | 1                                   | 1   |  |  |
| 4  | SPRING   |                          | 4H1143-01   | 1                                   | 1   |  |  |
| 5  | BRACKET - ACTUATOR MOTOR                         |                          | 3Y5417M01   | 1                                   | 1   |  |  |
| 6  | TRUSS HEAD MACHINE SCREW                         |                          | FST0612S0   | 1                                   | 1   |  |  |
| 7  | FLAT HEAD MACHINE SCREW                          |                          | FSF0612S0   | 1                                   | 1   |  |  |
| 8  | TUBE - SILICONE                                  |                          | 4Y6751Z03   | 1                                   | 1   |  |  |
| 9  | TUBE - SILICONE                                  |                          | 4X8017-07   | 1                                   | -   |  |  |
| 10   | TIE  | CV-150                   | 7920-0003   | 2                                   | 2   |  |  |
| 11   | COVER - AM                                       |                          | 3Y5292M01   | 1                                   | 1   |  |  |
| 12   | HEX HEAD BOLT<br>(SPRING WASHER AND FLAT WASHER) |                          | FBK0416S0   | 2                                   | 2   |  |  |
|  |  |                          |             |                                     |     |  |  |
|  |  |                          |             |                                     |     |  |  |
|  |  |                          |             |                                     |     |  |  |
|  |  |                          |             |                                     |     |  |  |
|  |  |                          |             |                                     |     |  |  |
|  |  |                          |             |                                     |     |  |  |
|  |  |                          |             |                                     |     |  |  |
|  |  |                          |             |                                     |     |  |  |
|  |  |                          |             |                                     |     |  |  |
|  |  |                          |             |                                     |     |  |  |
|  |  |                          |             |                                     |     |  |  |
|  |  |                          |             |                                     |     |  |  |
|  |  |                          |             |                                     |     |  |  |
|  |  |                          |             |                                     |     |  |  |
|  |  |                          |             |                                     |     |  |  |
|  |  |                          |             |                                     |     |  |  |
|  |  |                          |             |                                     |     |  |  |
|  |  |                          |             |                                     |     |  |  |
|  |  |                          |             |                                     |     |  |  |

IM-30CNE  
IM-30CNE-25  
IM-30CWNE  
IM-21CNE

J. WATER PAN ASSY

(A-1) and later



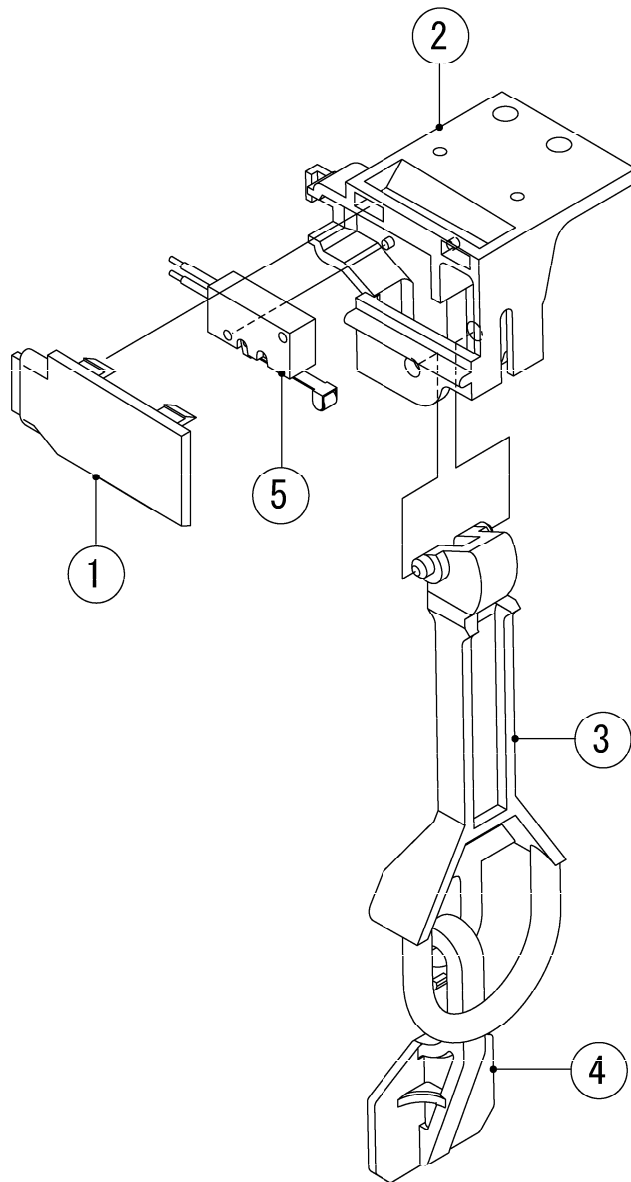
HE,GRAM

| MODEL: <b>IM-30CNE(-25)</b><br><b>IM-30CWNE</b><br><b>IM-21CNE</b> |  |                          |             | TITLE: <b>J.WATER PAN ASSY</b> |     |  |  |
|--|--|--------------------------|-------------|--------------------------------|-----|--|--|
| INDEX NO.  | DESCRIPTION                                      | MATERIAL OR MODEL NUMBER | PART NUMBER | REQ'D NUMBER                   |     |  |  |
|  |  |                          |             | A-1 B-0                        | B-1 |  |  |
| 1  | WATER PLATE                                      |                          | 2X1078G01   | 1                              | 1   |  |  |
|  |  | (IM-30CNE-25)            | 2H0690G02   | 1                              | 1   |  |  |
| 2  | WATER TANK(AD)                                   |                          | 4X4158-02   | 1                              | 1   |  |  |
| 3  | PLATE - LUBRICATION                              |                          | 410955-01   | 2                              | 2   |  |  |
| 4  | DRAIN GUIDE                                      |                          | 3H5522-01   | 1                              | 1   |  |  |
| 5  | SCREW - SPRING HOOK(C)                           |                          | 4H0134G01   | 2                              | 2   |  |  |
| 6  | BRACKET(A) - WATER PAN                           |                          | 4Y7462G01   | 1                              | 1   |  |  |
| 7  | BRACKET(B) - WATER PAN                           |                          | 4H2659-02   | 1                              | 1   |  |  |
| 8  | TRUSS HEAD TAPPING SCREW T2                      |                          | FT20412M0   | 6                              | 6   |  |  |
| 9  | PUMP MOTOR                                       |                          | P02132-01   | 1                              | 1   |  |  |
| 10   | HEX HEAD BOLT<br>(SPRING WASHER AND FLAT WASHER) |                          | FBK0412S0   | 2                              | 2   |  |  |
| 11   | FLAT WASHER                                      |                          | FWPL04S0    | -                              |     |  |  |
| 12   | FLANGE NUT                                       |                          | FNHF04S0    | 2                              | 2   |  |  |
| 13   | SUCTION TUBING                                   |                          | 4H1922-02   | 1                              | 1   |  |  |
| 14   | DISCHARGE TUBING                                 |                          | 4H1982-01   | 1                              | 1   |  |  |
| 15   | TUBE - UL  |                          | 4Y6754Z16   | 1                              | 1   |  |  |
| 16   | NYLON TIE  | CV-70                    | 7920-0001   | 1                              | 1   |  |  |
|  |  |                          |             |                                |     |  |  |
|  |  |                          |             |                                |     |  |  |
|  |  |                          |             |                                |     |  |  |
|  |  |                          |             |                                |     |  |  |
|  |  |                          |             |                                |     |  |  |
|  |  |                          |             |                                |     |  |  |
|  |  |                          |             |                                |     |  |  |
|  |  |                          |             |                                |     |  |  |
|  |  |                          |             |                                |     |  |  |
|  |  |                          |             |                                |     |  |  |
|  |  |                          |             |                                |     |  |  |
|  |  |                          |             |                                |     |  |  |
|  |  |                          |             |                                |     |  |  |
|  |  |                          |             |                                |     |  |  |
|  |  |                          |             |                                |     |  |  |

IM-30CNE  
IM-30CNE-25  
IM-30CWNE  
IM-21CNE

K. BIN CONTROL SWITCH ASSY (A-1) and later

---



MODEL: **IM-30CNE(-25)**  
**IM-30CWNE**  
**IM-21CNE**

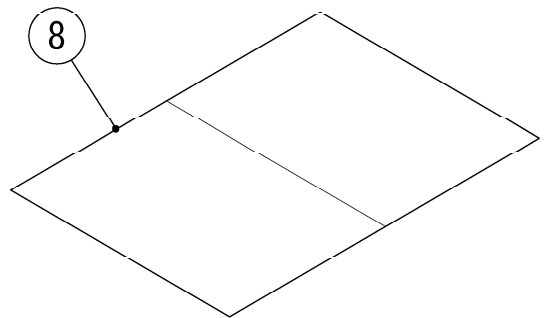
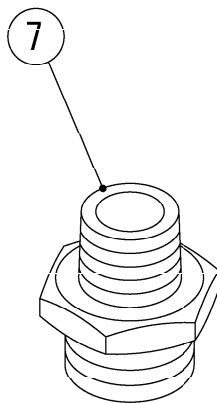
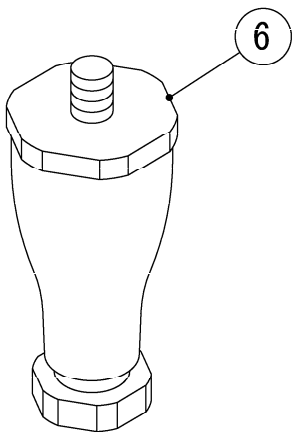
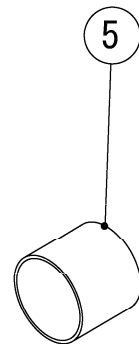
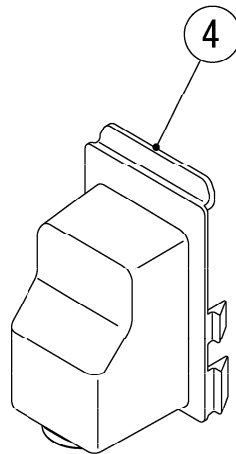
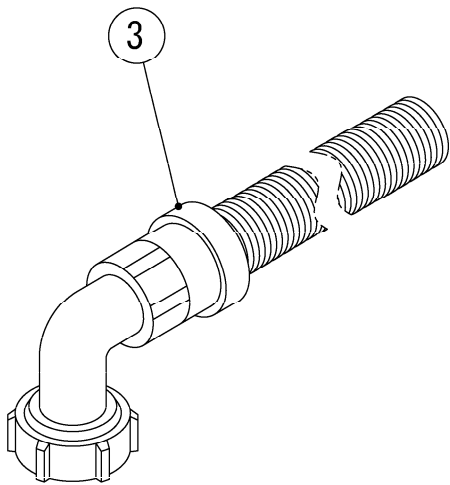
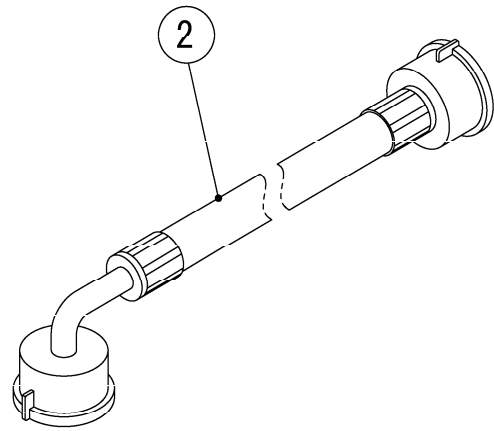
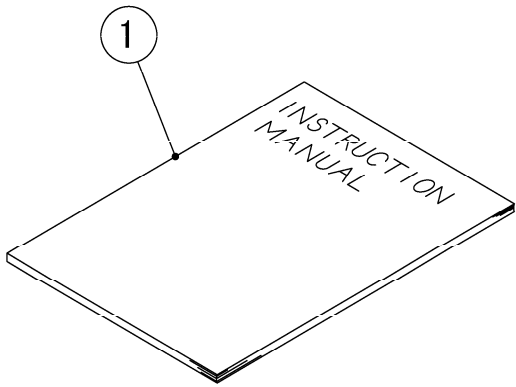
TITLE: **K.BIN CONTROL SWITCH ASSY**

| INDEX<br>NO. | DESCRIPTION      | MATERIAL OR<br>MODEL<br>NUMBER | PART<br>NUMBER | REQ'D NUMBER |     |  |  |
|--------------|------------------|--------------------------------|----------------|--------------|-----|--|--|
|              |                  |                                |                | A-1<br>B-0   | B-1 |  |  |
| 1            | SWITCH BOX COVER |                                | 4H8785-01      | 1            | 1   |  |  |
| 2            | SWICH BOX        |                                | 2H2043-01      | 1            | 1   |  |  |
| 3            | SWITCH ACTUATOR  |                                | 3H1369-01      | 1            | 1   |  |  |
| 4            | DETECTOR         |                                | 3X1279-01      | 1            | 1   |  |  |
| 5            | MICRO SWITCH     |                                | 456432-02      | 1            | 1   |  |  |
|              |                  |                                |                |              |     |  |  |
|              |                  |                                |                |              |     |  |  |
|              |                  |                                |                |              |     |  |  |
|              |                  |                                |                |              |     |  |  |
|              |                  |                                |                |              |     |  |  |
|              |                  |                                |                |              |     |  |  |
|              |                  |                                |                |              |     |  |  |
|              |                  |                                |                |              |     |  |  |
|              |                  |                                |                |              |     |  |  |
|              |                  |                                |                |              |     |  |  |
|              |                  |                                |                |              |     |  |  |
|              |                  |                                |                |              |     |  |  |
|              |                  |                                |                |              |     |  |  |
|              |                  |                                |                |              |     |  |  |
|              |                  |                                |                |              |     |  |  |
|              |                  |                                |                |              |     |  |  |
|              |                  |                                |                |              |     |  |  |
|              |                  |                                |                |              |     |  |  |
|              |                  |                                |                |              |     |  |  |
|              |                  |                                |                |              |     |  |  |
|              |                  |                                |                |              |     |  |  |
|              |                  |                                |                |              |     |  |  |
|              |                  |                                |                |              |     |  |  |

IM-30CNE  
IM-30CNE-25  
IM-30CWNE  
IM-21CNE

L. ACCESSORIES

(A-1) and later



HE,GRAM

| MODEL: <b>IM-30CNE(-25)</b><br><b>IM-30CWNE</b><br><b>IM-21CNE</b> |                    | TITLE: <b>L.ACCESSORIES</b>    |                |              |     |  |  |
|--|--------------------|--------------------------------|----------------|--------------|-----|--|--|
| INDEX<br>NO.   | DESCRIPTION        | MATERIAL OR<br>MODEL<br>NUMBER | PART<br>NUMBER | REQ'D NUMBER |     |  |  |
|  |                    |                                |                | A-1<br>B-0   | B-1 |  |  |
| 1  | INSTRUCTION MANUAL |                                | L1E1EC201      | 1            | 1   |  |  |
| 2  | INLET HOSE         |                                | 450722-01      | 1            | 1   |  |  |
|  |                    | (IM-30CWNE)                    |                | 2            | 2   |  |  |
| 3  | OUTLET HOSE        |                                | 452365-01      | 1            | 1   |  |  |
|  |                    | (IM-30CWNE)                    |                | 2            | 2   |  |  |
| 4  | COVER - CONNECTOR  |                                | 2X0271P01      | 1            | 1   |  |  |
| 5  | CAP                |                                | 417323-01      | 1            | 1   |  |  |
| 6  | LEG                | (IM-30CNE(-25),30CWNE)         | 462576-02      | 4            | 4   |  |  |
| 7  | ADAPTOR            | (IM-30CWNE)                    | 450724-01      | 2            | 2   |  |  |
| 8  | INSTRUCTION SHEET  |                                | 121594L01      | 1            | 1   |  |  |
|  |                    |                                |                |              |     |  |  |
|  |                    |                                |                |              |     |  |  |
|  |                    |                                |                |              |     |  |  |
|  |                    |                                |                |              |     |  |  |
|  |                    |                                |                |              |     |  |  |
|  |                    |                                |                |              |     |  |  |
|  |                    |                                |                |              |     |  |  |
|  |                    |                                |                |              |     |  |  |
|  |                    |                                |                |              |     |  |  |
|  |                    |                                |                |              |     |  |  |
|  |                    |                                |                |              |     |  |  |
|  |                    |                                |                |              |     |  |  |
|  |                    |                                |                |              |     |  |  |
|  |                    |                                |                |              |     |  |  |
|  |                    |                                |                |              |     |  |  |
|  |                    |                                |                |              |     |  |  |
|  |                    |                                |                |              |     |  |  |
|  |                    |                                |                |              |     |  |  |

HE,GRAM

| MODEL: <b>IM-30CNE(-25)</b><br><b>IM-30CWNE</b><br><b>IM-21CNE</b> |                    |                                |                | TITLE: <b>L.ACCESSORIES</b> |     |  |  |
|--|--------------------|--------------------------------|----------------|-----------------------------|-----|--|--|
| INDEX<br>NO.   | DESCRIPTION        | MATERIAL OR<br>MODEL<br>NUMBER | PART<br>NUMBER | REQ'D NUMBER                |     |  |  |
|  |                    |                                |                | A-1<br>B-0                  | B-1 |  |  |
| 1  | INSTRUCTION MANUAL |                                | L1E1EC201      | 1                           | 1   |  |  |
| 2  | INLET HOSE         |                                | 450722-01      | 1                           | 1   |  |  |
|  |                    | (IM-30CWNE)                    |                | 2                           | 2   |  |  |
| 3  | OUTLET HOSE        |                                | 452365-01      | 1                           | 1   |  |  |
|  |                    | (IM-30CWNE)                    |                | 2                           | 2   |  |  |
| 4  | COVER - CONNECTOR  |                                | 2X0271P01      | 1                           | 1   |  |  |
| 5  | CAP                |                                | 417323-01      | 1                           | 1   |  |  |
| 6  | LEG                | (IM-30CNE(-25),30CWNE)         | 462576-02      | 4                           | 4   |  |  |
| 7  | ADAPTOR            | (IM-30CWNE)                    | 450724-01      | 2                           | 2   |  |  |
| 8  | INSTRUCTION SHEET  |                                | 121594L01      | 1                           | 1   |  |  |
|  |                    |                                |                |                             |     |  |  |
|  |                    |                                |                |                             |     |  |  |
|  |                    |                                |                |                             |     |  |  |
|  |                    |                                |                |                             |     |  |  |
|  |                    |                                |                |                             |     |  |  |
|  |                    |                                |                |                             |     |  |  |
|  |                    |                                |                |                             |     |  |  |
|  |                    |                                |                |                             |     |  |  |
|  |                    |                                |                |                             |     |  |  |
|  |                    |                                |                |                             |     |  |  |
|  |                    |                                |                |                             |     |  |  |
|  |                    |                                |                |                             |     |  |  |
|  |                    |                                |                |                             |     |  |  |
|  |                    |                                |                |                             |     |  |  |
|  |                    |                                |                |                             |     |  |  |
|  |                    |                                |                |                             |     |  |  |
|  |                    |                                |                |                             |     |  |  |
|  |                    |                                |                |                             |     |  |  |
|  |                    |                                |                |                             |     |  |  |
|  |                    |                                |                |                             |     |  |  |
|  |                    |                                |                |                             |     |  |  |
|  |                    |                                |                |                             |     |  |  |
|  |                    |                                |                |                             |     |  |  |
|  |                    |                                |                |                             |     |  |  |
|  |                    |                                |                |                             |     |  |  |
|  |                    |                                |                |                             |     |  |  |
|  |                    |                                |                |                             |     |  |  |
|  |                    |                                |                |                             |     |  |  |