

No.	F073-3424
ISSUED:	JAN .27, 2011
REVISED:	NOV. 9, 2012



**HOSHIZAKI
FLAKE ICE MAKER**

MODEL FM-1200ALKE(-N)

(F073, F073-C106)

**PARTS LIST
(HE)**

A-1 JAN. 2011
A-3 AUG. 2011
B-0 JAN. 2012
B-1 APR. 2013

AUXILIARY CODE

U - 1

The auxiliary code is the first two characters in the serial number. The first character indicates the production year. Years progress or regress in alphabetical order. The series of letters and skipped letters depend on UL listing, production, and model. See the auxiliary code(s) and corresponding year(s) on the front cover.

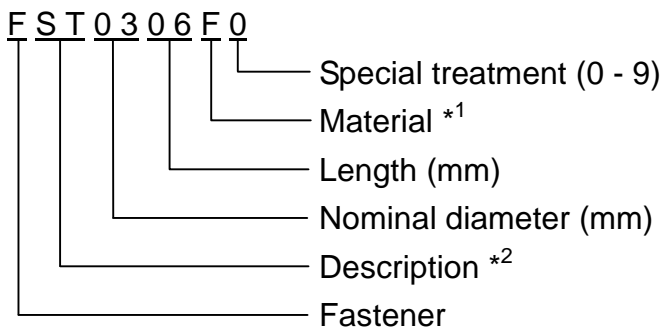
The second character indicates significant part changes within the same year. Base is "1" and this number advances for each change. If there is no significant part change at the turn of the year, this number starts from "0."

MARKS LOCATED UNDER THE AUXILIARY CODE

- = Part deleted.
- x = Part deleted and replaced by "o" part.
- o = New part in place of "x" part.

FASTENER PART NUMBER

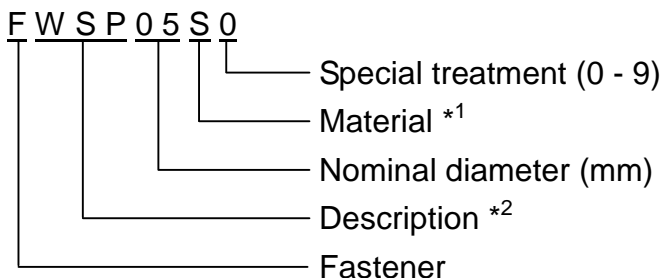
SCREWS



*1 Material

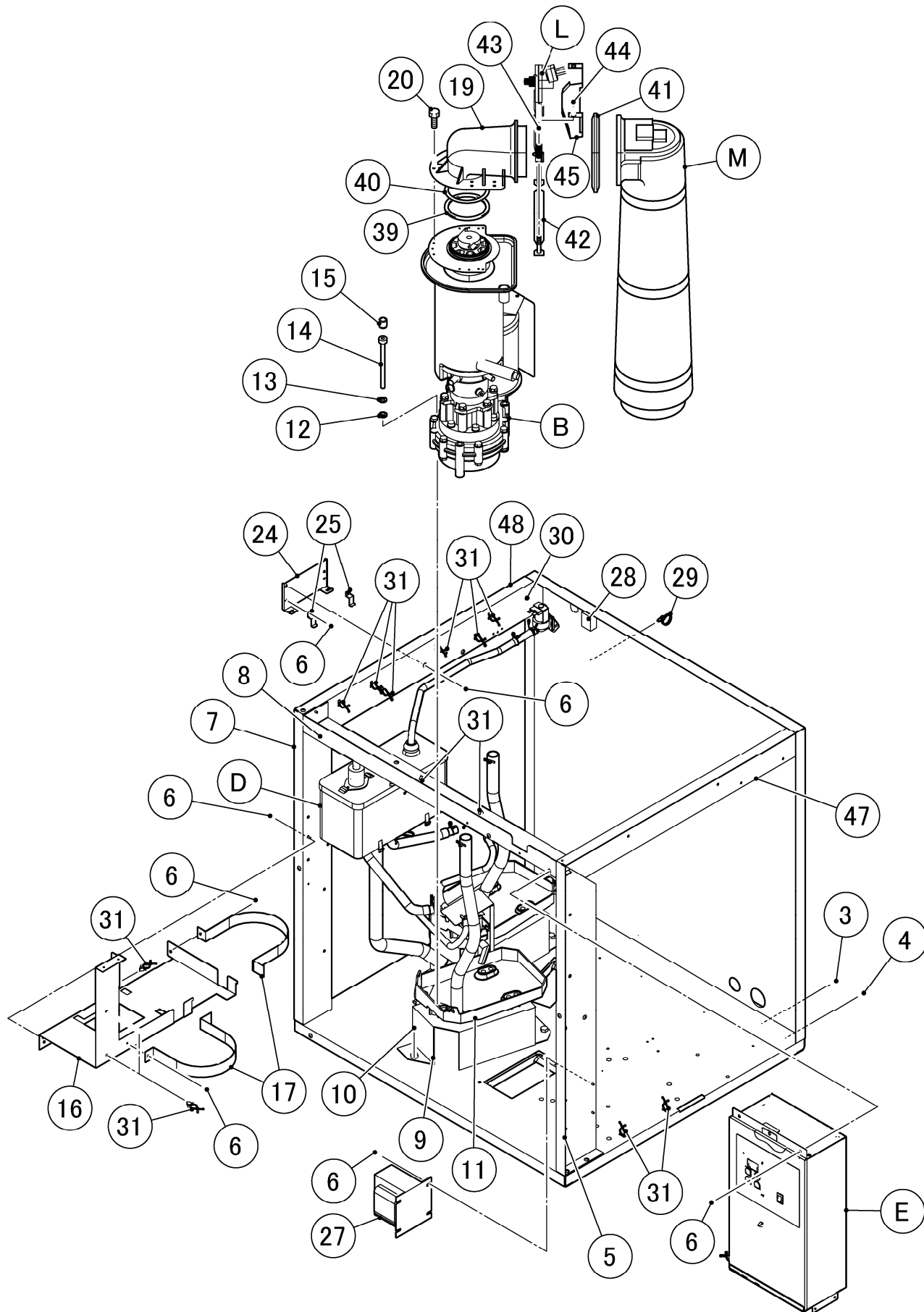
- F: Steel
- S: Austenitic stainless steel
- M: Martensitic stainless steel
- B: Copper alloy
- P: Polycarbonate
- N: Polyamide
- V: PVC
- A: ABS
- X: Polyacetal
- L: Aluminum

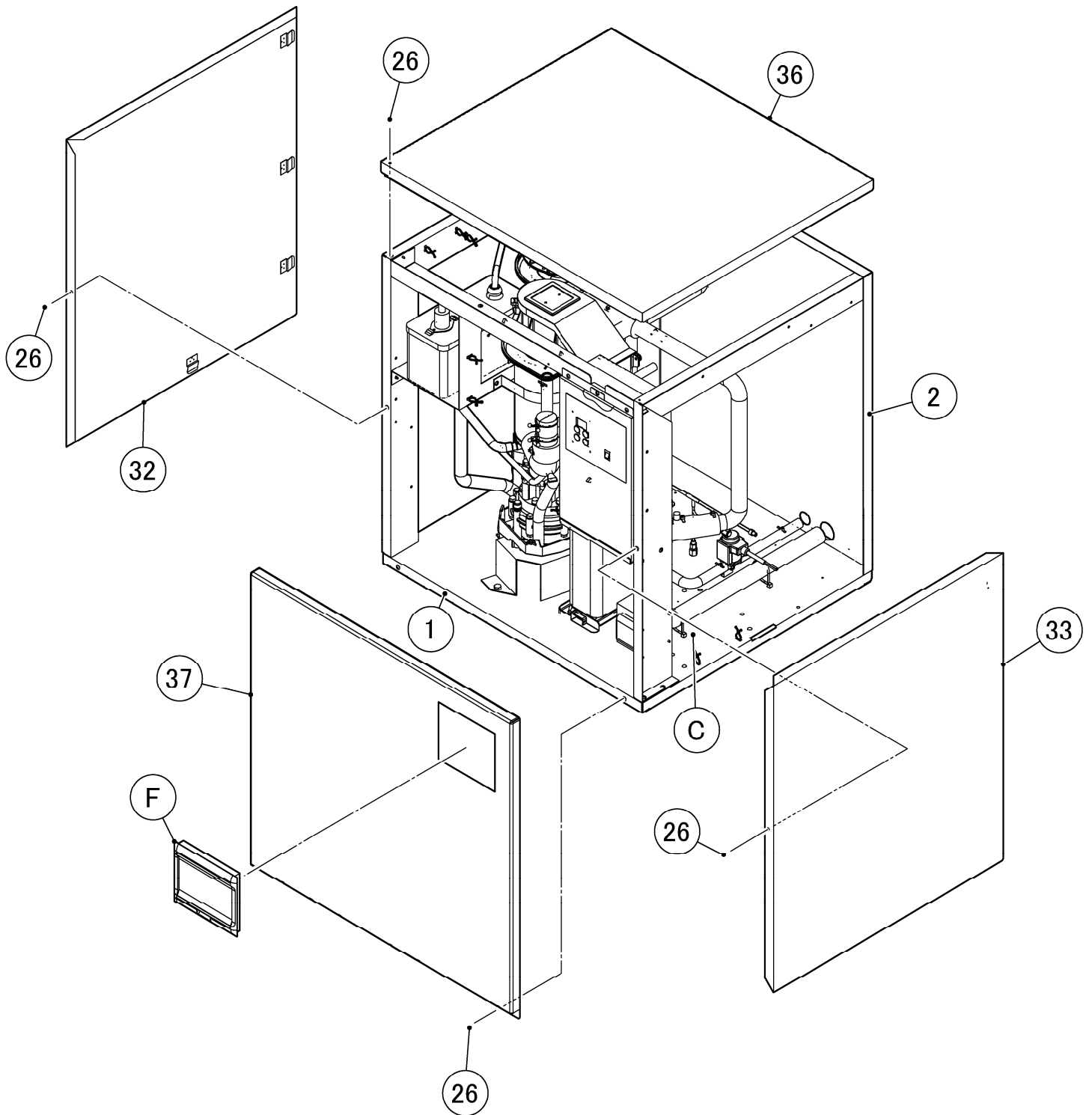
NUTS & WASHERS



*2 Description

- First letter
- S: Machine screw
- T: Tapping screw
- M: Wood screw
- B: Bolt
- W: Washer
- N: Nut





HE

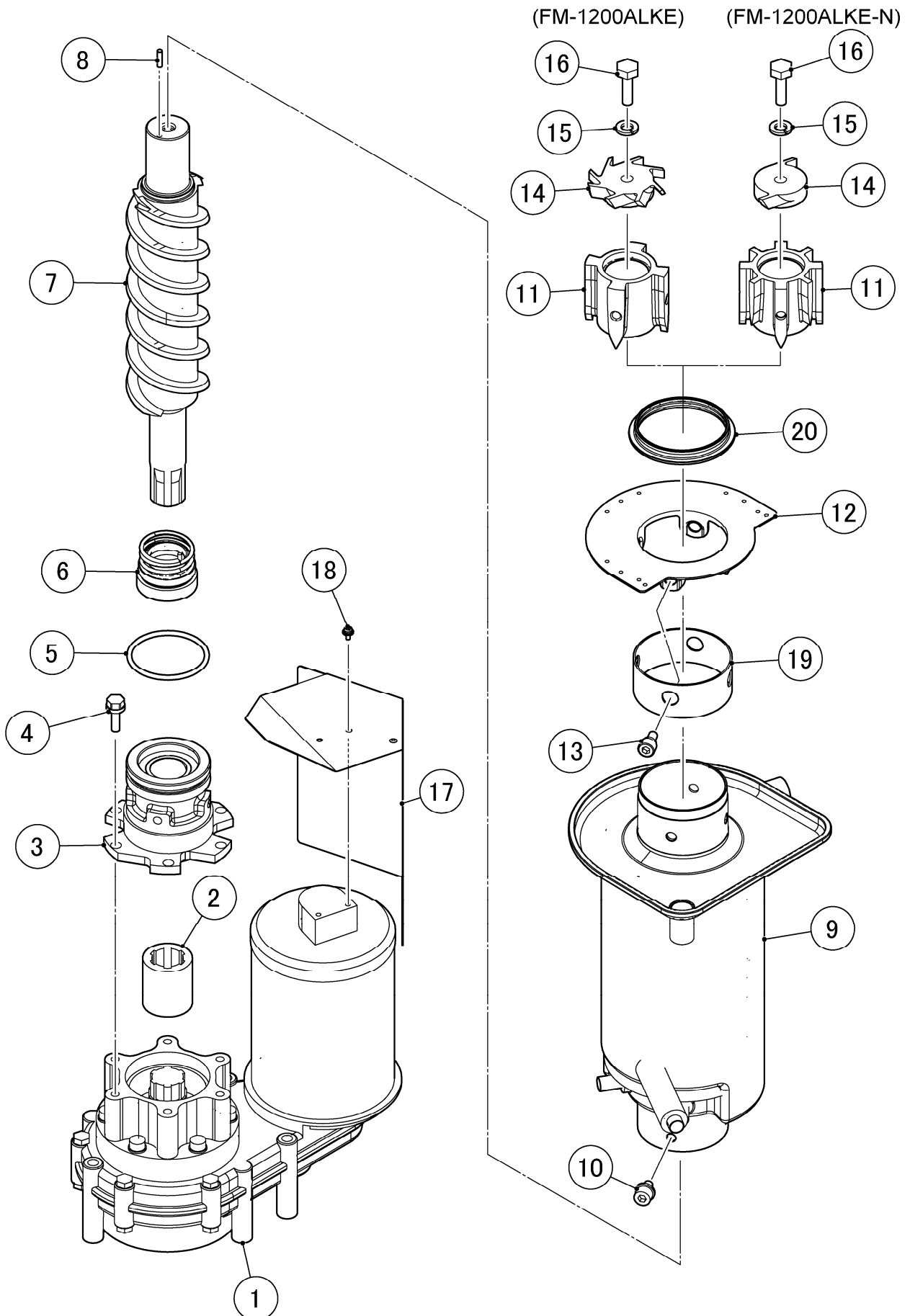
MODEL: FM-1200ALKE(-N) TITLE: A. ICE FLAKER ASSY							
INDEX NO.	DESCRIPTION	MATERIAL OR MODEL NUMBER	PART NUMBER	REQ'D NUMBER			
				A-1 A-2	A-3 B-0	B-1	
B	ICE MAKING UNIT	FM-1200ALKE	259147A01	2	-	-	
			259147005		2	-	
			262649A04			1	
		FM-1200ALKE-N	259147A04	2	-	-	
			259147006		2	-	
			262649A05			1	
C	REFRIGERATION CIRCUIT		121250A01	1	-	-	
			121250001		1	1	
D	WATER CIRCUIT		120946A01	1	-	-	
			120946001		1	1	
E	CONTROL BOX ASSY		259933A01	1	1	-	
			263184A01			1	
F	WINDOW PANEL ASSY		348243A03	1	1	1	
G	LABEL LOCATION	FM-1200ALKE	260001A01	1	1	-	
			260001005			1	
		FM-1200ALKE-N	260001A02	1	1	-	
			260001006			1	
J	ACCESSORIES		A02333-01	1	1	1	
K	OPTIONAL PARTS		OPT-F073	1	1	1	
L	BAND ASSY	S-9165	348911A01		2	2	
M	CHUTE ASSY		113006A01		2	2	
1	CHASSIS		259931G01	1	-	-	
			261386G01		1	1	
2	REAR PANEL		121249M01	1	1	1	
3	HEX HEAD BOLT (SPRING WASHER AND FLAT WASHER)		FBK0512S0	2	2	2	
4	TRUSS HEAD TAPPING SCREW T2		FT20408F0	2	2	2	
5	SIDE FRAME (R1)		264212M01	1	1	1	
6	TRUSS HEAD MACHINE SCREW		FST0408F0	30	30	30	
7	SIDE FRAME (L1)		264214M01	1	1	1	
8	FRONT FRAME		259146M01	1	1	-	
			262208M01			1	

HE

MODEL: FM-1200ALKE(-N) TITLE: A. ICE FLAKER ASSY							
INDEX NO.	DESCRIPTION	MATERIAL OR MODEL NUMBER	PART NUMBER	REQ'D NUMBER			
				A-1 A-2	A-3 B-0	B-1	
9	BRACKET - GEAR MOTOR		374371G01	2	2	2	
10	HEX HEAD BOLT		FBH0812S0	6	6	6	
11	DRAIN PAN		323765G01	2	2	-	
			261640P01			2	
12	SEAL WASHER		458299-01	6	6	6	
13	SPRING WASHER		FWSP08S0	6	6	6	
14	HEXAGON SOCKET HEAD CAP SCREW		461285-01	6	6	6	
15	VINYL CAP		451272-01	6	6	6	
16	BRACKET-RESERVOIR		259148M01	1	-	-	
			261346M01		1	1	
17	BAND		475195M01	2	2	2	
18	BIN CONTROL		375652G03	2	-	-	
19	SPOUT - 70		373329G01	2	-	-	
	SPOUT		104797-01		2	2	
20	HEX HEAD BOLT (SPRING WASHER AND FLAT WASHER)		FBK0408S0	6	6	6	
21	LEAD SWITCH		431788-01	2	-	-	
22	TRUSS HEAD TAPPING SCREW T2		FT20308M0	2	-	-	
23	SPOUT COVER - 70		256359G01	2	-	-	
24	BRACKET-WATER SUPPLY		475199M01	1	1	-	
			476650M01			1	
25	BRACKET (A) - WATER SUPPLY		474638M01	2	2	-	
26	TRUSS HEAD MACHINE SCREW		FST0408S0	5	5	11	
27	TRANSFORMER		469405-01	1	1	-	
28	CONNECTOR		P00246-01	1	1	1	
29	PUSH MOUNT TIE		436156-01	1	1	1	
30	PAN HEAD MACHINE SCREW (SPRING WASHER AND FLAT WASHER)		FSK0408S0	1	1	1	
31	CLAMP	No.249	427902-03	15	15	15	
32	SIDE PANEL(L)		234110G01	1	1	-	
			261989M01			1	
33	SIDE PANEL (R)		234109G01	1	1	-	
			262071M01			1	
36	TOP PANEL		259153M01	1	1	1	

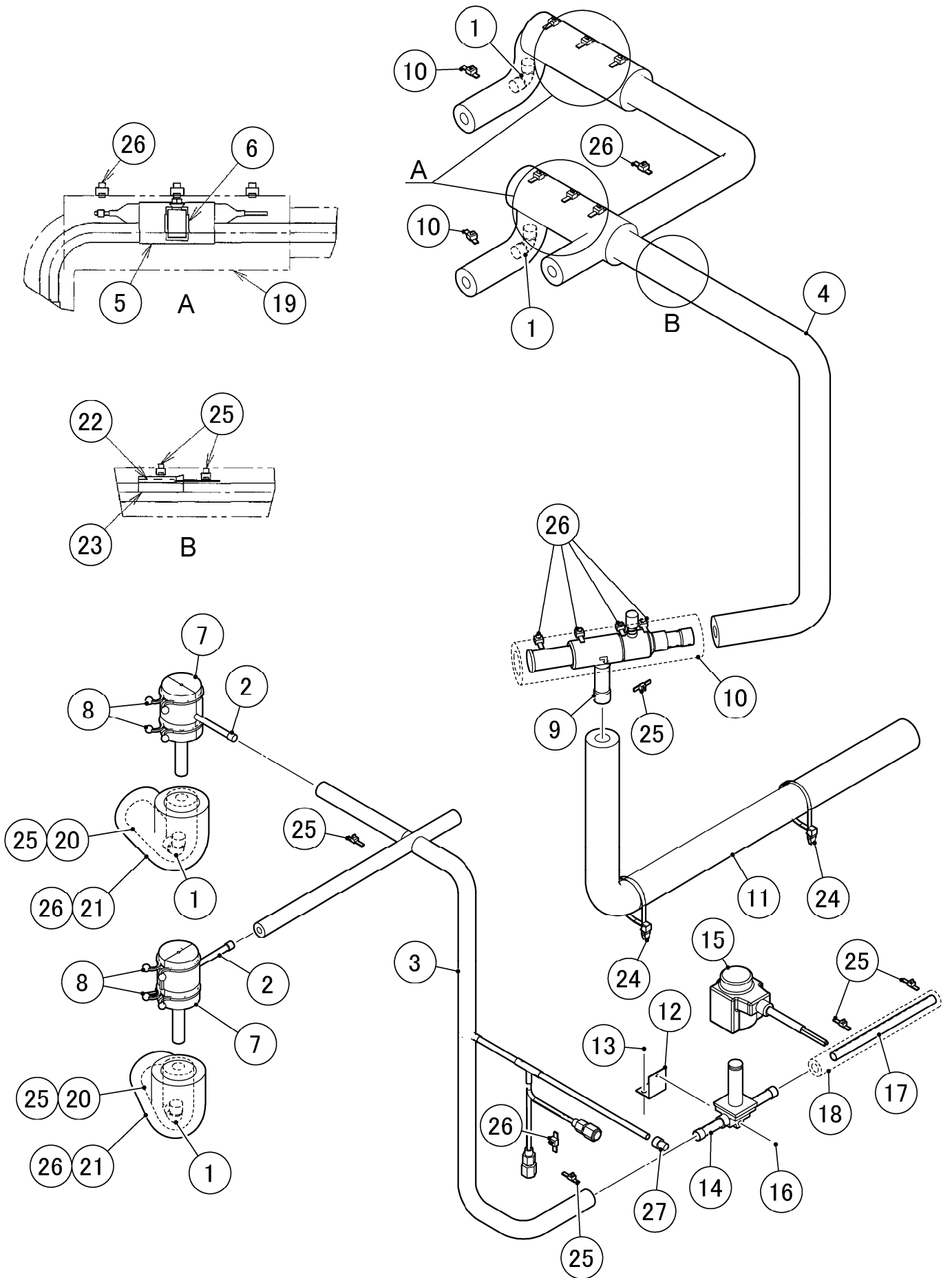
HE

MODEL: FM-1200ALKE(-N) TITLE: A. ICE FLAKER ASSY							
INDEX NO.	DESCRIPTION	MATERIAL OR MODEL NUMBER	PART NUMBER	REQ'D NUMBER			
				A-1 A-2	A-3 B-0	B-1	
37	FRONT PANEL (A)		121253G01	1	1	1	
38	CHUTE - INSULATION		475289P03	2	2	2	
39	RING		432661-02		2	2	
40	O-RING	4DG70	7616-G070		2	2	
41	PACKING		454256-01		2	2	
42	BAND (B)		459995G01		2	2	
43	FLANGE NUT		FNHF06S0		6	6	
44	NUT		FNH106S0		10	10	
45	DRIP GUIDE		350725-01		2	2	
46	CLAMP		428644-03			2	
47	SIDE FRAME (R2)		264213M01	1	1	1	
48	SIDE FRAME (L2)		264215M01	1	1	1	



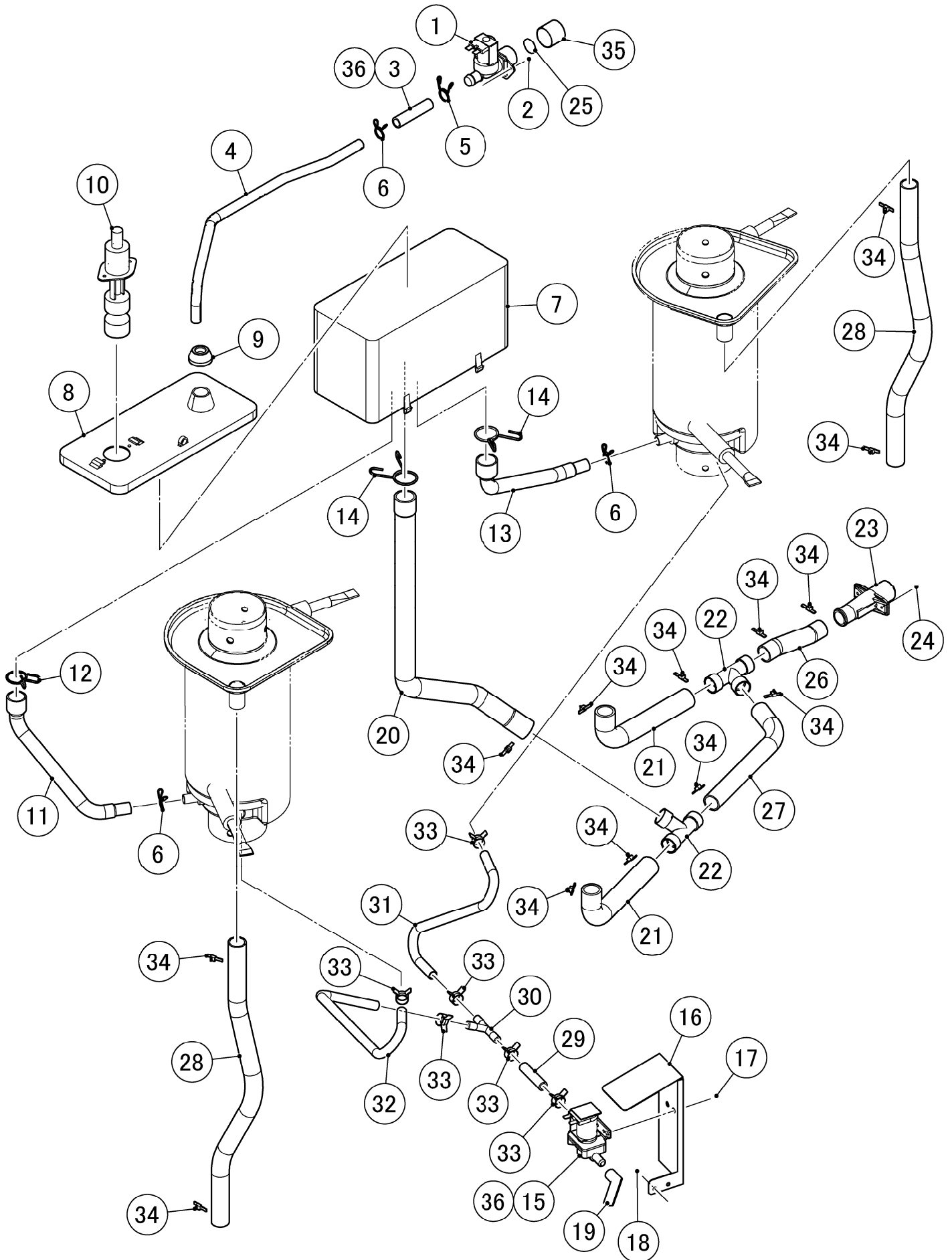
HE

MODEL: FM-1200ALKE(-N) TITLE: B. ICE MAKING UNIT							
INDEX NO.	DESCRIPTION	MATERIAL OR MODEL NUMBER	PART NUMBER	REQ'D NUMBER			
				A-1 A-2	A-3 B-0	B-1	
1	GEAR MOTOR		466223-01	1	1	1	
2	COUPLING		414137-01	1	1	1	
3	HOUSING		206657G02	1	1	1	
4	HEX.HEAD BOLT W/WASHER (SW)		461888-01	6	6	6	
5	O-RING		7616-G065	1	1	1	
6	MECHANICAL SEAL		432492-01	1	1	1	
7	AUGER		120863G02	1	1	1	
8	PIN		713S-0416	1	1	1	
9	EVAPORATOR		258997G01	1	1	1	
10	SCREW		P01719-01	4	4	4	
11	EXTRUDING HEAD	FM-1200ALKE	327097G03	1	1	1	
		FM-1200ALKE-N	216531G03	1	1	1	
12	FLANGE - 70		372207M01	1	-	-	
			476246G01		1	1	
13	SEAL BOLT - M8		P01768-01	4	4	4	
14	CUTTER	FM-1200ALKE	317071-02	1	1	1	
		FM-1200ALKE-N	327145-01	1	1	1	
15	SPRING WASHER		FWSP10S0	1	1	1	
16	SCREW-BOLT		458101-01	1	1	1	
17	COVER-GEAR MOTOR		475224G01	1	1	1	
18	PAN HEAD MACHINE SCREW (SPRING WASHER AND FLAT WASHER)		FSK0408S0	2	2	2	
19	BELT HEATER		469322-01	1	1	-	
			P02370-01			1	
20	PACKING - SPOUT		473494R01	1	1	-	



HE

MODEL: FM-1200ALKE(-N) TITLE: C. REFRIGERATION CIRCUIT							
INDEX NO.	DESCRIPTION	MATERIAL OR MODEL NUMBER	PART NUMBER	REQ'D NUMBER			
				A-1 A-2	A-3 B-0	B-1	
1	ELBOW		417395-03	4	4	4	
2	EXPANSION VALVE		453868-01	2	2	2	
3	COPPER TUBE(H)		259934G01	1	-	-	
			261388G01		1	1	
4	COPPER TUBE(L)		259936G01	1	-	-	
			261381G01		1	1	
5	HOLDER - EXP. VALVE 1/2		3A0112-01	2	2	2	
6	CLAMP		443461-01	2	2	2	
7	VALVE COVER		3Y3196P01	2	2	2	
8	CLAMP		P00752-01	4	4	4	
9	EPR		457707-01	1	1	1	
10	INSULATION TUBE		H72646200	1	1	1	
11	COPPER TUBE(D)-L		374994G01	1	1	1	
12	VALVE BRACKET		453302-02	1	1	1	
13	TRUSS HEAD MACHINE SCREW		FST0408S0	2	2	2	
14	SOLENOID VALVE		P02115-01	1	1	1	
15	COIL		453124-01	1	1	1	
16	TRUSS HEAD MACHINE SCREW		FST0420S0	1	1	1	
17	COPPER TUBE(D)-H		475517M01	1	1	1	
18	INSULATION TUBE		H71020180	1	1	1	
19	INSULATION TUBE		H72949B15	2	2	2	
20	INSULATION TUBE		H71333B35	2	2	2	
21	INSULATION TUBE		H73858B28	2	2	2	
22	THERMISTOR ASSY		475407G01	1	1	1	
23	HOLDER - THERMISTOR		427430-01	1	1	1	
24	TIE		436156-02	2	2	2	
25	TIE	CV-150	7920-0003	12	12	12	
26	NYLON TIE	CV-200	7920-0010	19	19	19	
27	LOCKRING STOPPER		P01677-01	1	1	1	

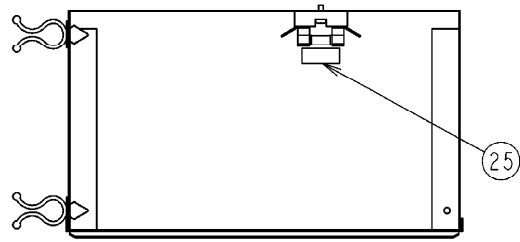


HE

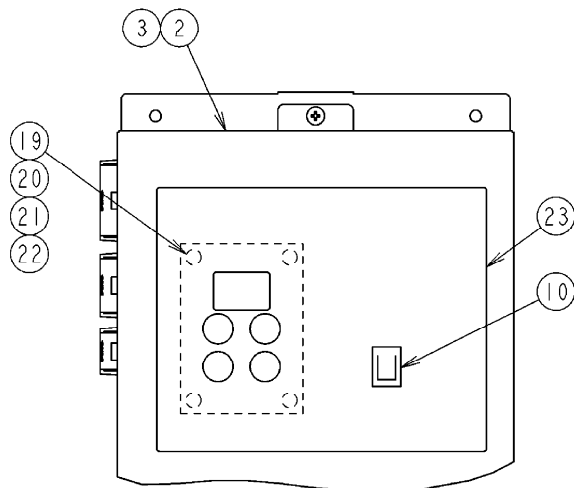
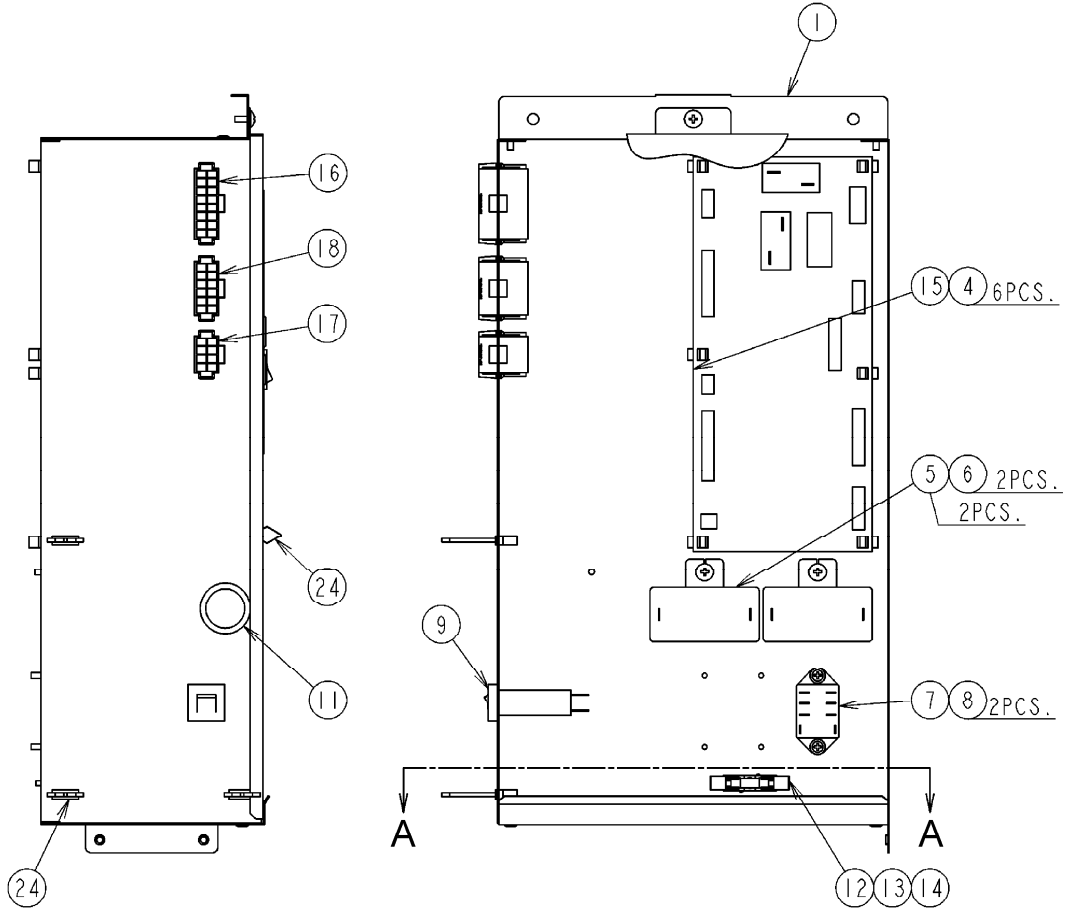
MODEL: FM-1200ALKE(-N) TITLE: D. WATER CIRCUIT							
INDEX NO.	DESCRIPTION	MATERIAL OR MODEL NUMBER	PART NUMBER	REQ'D NUMBER			
				A-1 A-2	A-3 B-0	B-1	
1	WATER VALVE		452993-01	1	1	1	
2	HEX HEAD BOLT		FBH0408S0	2	2	2	
3	SILICONE HOSE		H11014060	1	1	1	
4	PIPE-WATER SUPPLY		374379M01	1	-	-	
			375950M01		1	1	
5	HOSE CLAMP		435934-03	1	1	1	
6	HOSE CLAMP		435934-02	3	3	3	
7	RESERVOIR(B)		114487-01	1	1	1	
8	RESERVOIR COVER		112582-01	1	1	1	
9	COVER - RESERVOIR INLET		415094-01	1	1	1	
10	FLOAT SWITCH		458279-01	1	1	1	
11	HOSE (A)		374346R01	1	1	1	
12	HOSE CLAMP		427443-10	1	1	1	
13	HOSE (B)		374347R01	1	1	1	
14	HOSE CLAMP		427443-08	2	2	2	
15	WATER VALVE		468655-01	1	1	1	
16	VALVE BRACKET		461831-01	1	1	1	
17	HEX HEAD BOLT (SPRING WASHER AND FLAT WASHER)		FBK0508F0	2	2	2	
18	PAN HEAD MACHINE SCREW (SPRING WASHER AND FLAT WASHER)		FSK0408F0	2	2	2	
19	DRAIN PIPE		460263-01	1	1	1	
20	HOSE(B)		360004-01	1	1	1	
21	HOSE(C)		475198G01	2	2	2	
22	TEE		364488-01	2	2	2	
23	DRAIN PIPE		321035-01	1	1	1	
24	TRUSS HEAD TAPPING SCREW T2		FT20410S0	2	2	2	
25	FILTER		464377G01	1	1	1	
26	PVC HOSE (FOOD GRADE)		HD1923120	1	-	-	
			HD1923080		1	1	
27	PVC HOSE (FOOD GRADE)		HD1923250	1	-	-	
			HD1923270		1	1	
28	PVC HOSE (FOOD GRADE)		HD1923460	2	2	2	
29	PVC HOSE (FOOD GRADE)		HD0912050	1	1	1	

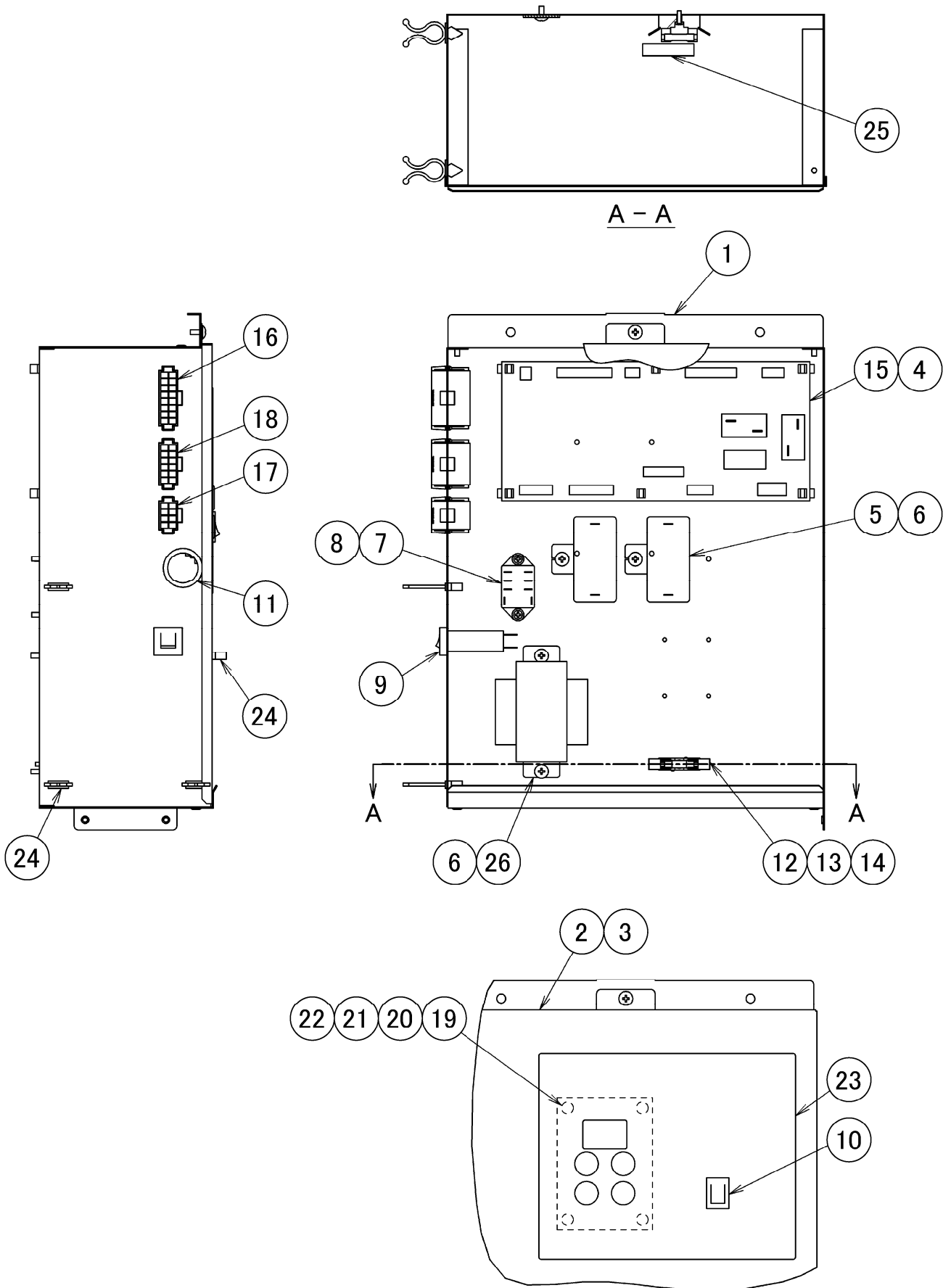
HE

MODEL: FM-1200ALKE(-N) TITLE: D. WATER CIRCUIT							
INDEX NO.	DESCRIPTION	MATERIAL OR MODEL NUMBER	PART NUMBER	REQ'D NUMBER			
				A-1 A-2	A-3 B-0	B-1	
30	JOINT		450297-04	1	1	1	
31	PVC HOSE (FOOD GRADE)		HD0912400	1	1	1	
32	PVC HOSE (FOOD GRADE)		HD0912500	1	1	1	
33	CLAMP		423866-03	6	6	6	
34	TIE	CV-150	7920-0003	13	13	13	
35	CAP		417323-01	1	1	1	
36	NOISE KILLER		450363-01		2	2	



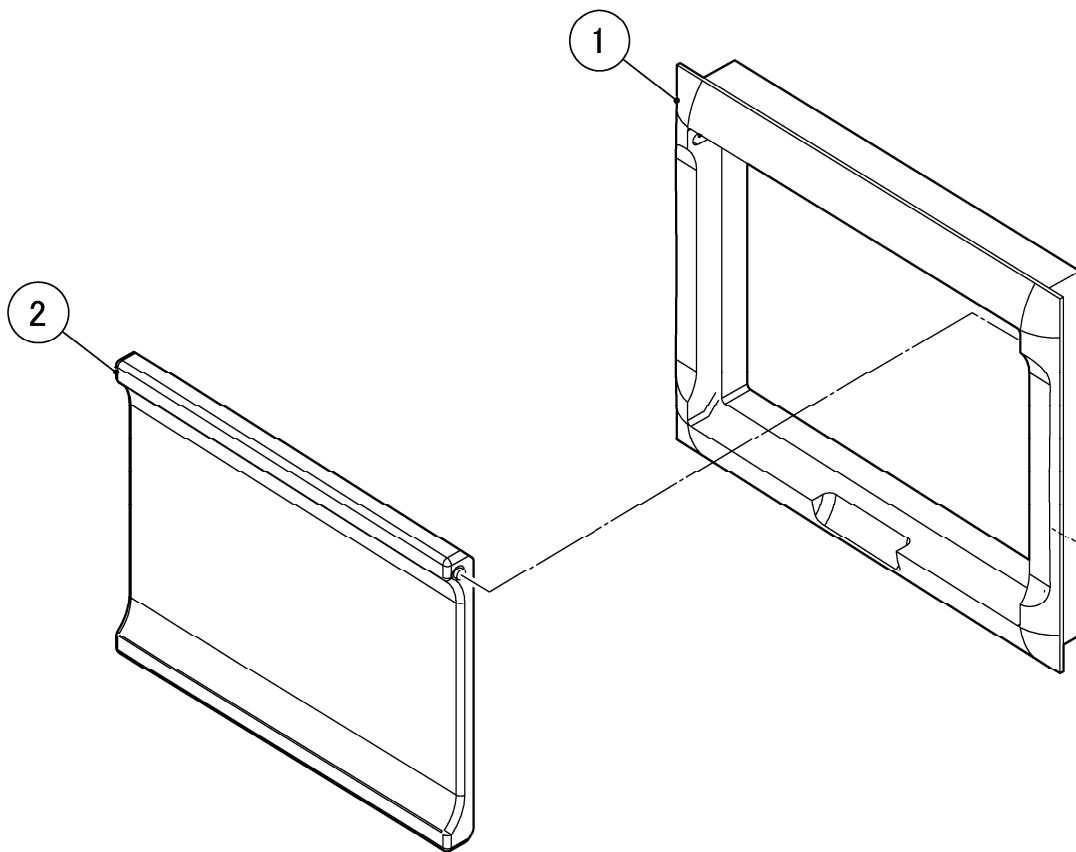
A - A



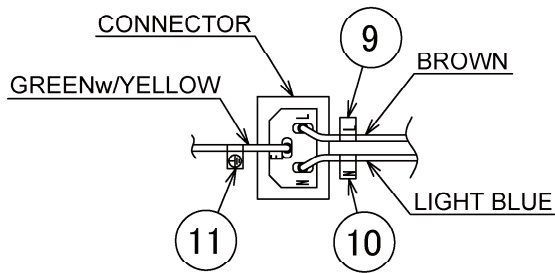


HE

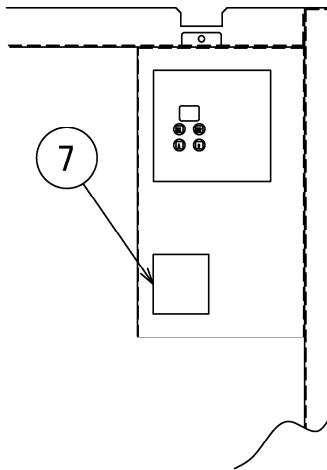
MODEL: FM-1200ALKE(-N) TITLE: E. CONTROL BOX ASSY							
INDEX NO.	DESCRIPTION	MATERIAL OR MODEL NUMBER	PART NUMBER	REQ'D NUMBER			
				A-1 A-2	A-3 B-0	B-1	
1	CONTROL BOX		121251G01	1	1	-	
			121824G01			1	
2	COVER - CONTROL BOX		374380G01	1	1	-	
			376330G01			1	
3	TRUSS HEAD MACHINE SCREW		FST0408F0	1	1	1	
4	BOARD SUPPORT		414929-01	6	6	6	
5	CAPACITOR		459704-01	2	2	2	
6	TRUSS HEAD TAPPING SCREW T2		FT20408F0	2	2	4	
7	RELAY		406132-08	1	1	1	
8	TAPPING SCREW		431415-01	2	2	2	
9	PROTECTOR		440972-01	1	1	1	
10	ROCKER SWITCH		460681-01	1	1	1	
11	BUSHING		428394-05	1	1	1	
12	FUSE HOLDER		4Y2547-01	1	1	1	
13	FUSE		451924-02	1	1	1	
14	PAN HEAD TAPPING SCREW T2		FT50308F0	1	1	1	
15	CONTROLLER BOARD/09CM		P01372-99	1	1	1	
16	HARNES (A)		374365G01	1	1	-	
			376352G01			1	
17	HARNES (B)		473845G01	1	1	1	
18	HARNESS (C)		374366G01	1	1	1	
19	SPACER		451658-05	4	4	4	
20	OPERATION BOARD/09CM		P01373-01	1	1	1	
21	FLAT WASHER		FWPL03P0	4	4	4	
22	NUT		FNH103F0	4	4	4	
23	CONTROL LABEL		374148L01	1	1	1	
24	CLAMP		427902-03	4	4	4	
25	LABEL - FUSE		455750-02	1	1	-	
			477494L01			1	
26	TRANSFORMER		P02623-01			1	



DETAIL LABEL-TERMINAL



DETAIL CONTROL BOX



VIEW A

