



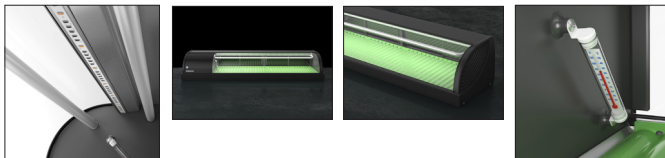
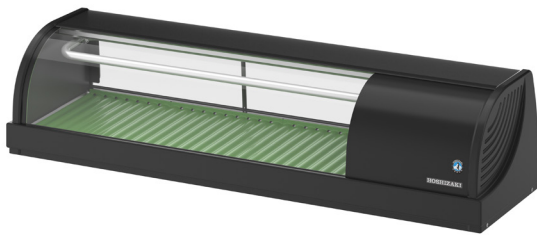
HOSHIZAKI

HNC-120BE-R-BLH

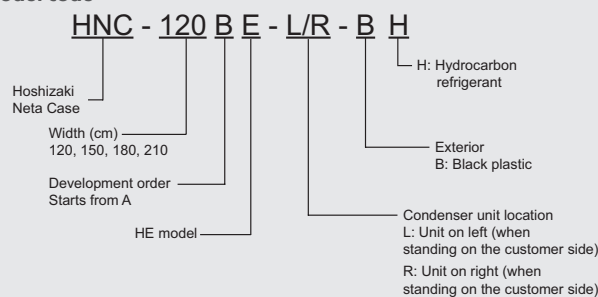
Sushi case with LED lighting, right sided

MODELS AVAILABLE

- | | | |
|--|---|--|
| <input type="checkbox"/> HNC-120BE-L-BLH | <input checked="" type="checkbox"/> HNC-120BE-R-BLH | <input type="checkbox"/> HNC-150BE-L-BLH |
| <input type="checkbox"/> HNC-150BE-R-BLH | <input type="checkbox"/> HNC-180BE-L-BLH | <input type="checkbox"/> HNC-180BE-R-BLH |
| <input type="checkbox"/> HNC-210BE-L-BLH | <input type="checkbox"/> HNC-210BE-R-BLH | |



Model code



Powered by R600a Natural Refrigerant, energy efficient and sustainable, with a GWP = 3.



PRODUCT SERIES: HNC
ITEM NUMBER: S052-C174

This Hoshizaki HNC-120BE-R-BLH is a Sushi case with LED lighting, right-sided. Our line of refrigerated display cases combines innovative features with a modern and elegant design, and are configured to highlight and preserve the freshness of even the most delicate fish types.

The range is designed to maintain the most natural level of humidity and food-safe temperatures, even during peak serving times with frequent door openings.

Airflow

The airflow created by the refrigeration effect of the evaporator is smooth and diffused, without forced air-circulation, which would cause dehydration and weight loss, resulting in swift deterioration of the fish or other perishable displayed food.

Temperature Control

One of the strikingly simple solutions for easy and fast temperature control: the inside wave shaped ABS trays can be flipped face up or down to allow more or less contact of the food with the cold trays. This way the cooling impact can be adjusted. A thermometer inside the cabinet helps you to monitor the inside temperature at all times.

Attractive Display

The tubular-shaped evaporator absorbs the heat continuously. Condensation freezes on its external surface, maintaining an attractive frost layer with no dripping. This model is equipped with LED lighting that can be turned on and off as needed.

Convenience

The practical anti-slip top is ideal to place serving dishes. The condensing unit of all our models sits either on the right- or left-hand side, with the outflow of air positioned on the sides away from the operator.

Easy Cleaning

The sliding door with 150mm height and the lightweight ABS trays with a wave-shaped profile are easily disassembled and removed for daily cleaning.

COMMERCIAL WARRANTY AGAINST MANUFACTURING DEFECTS

PARTS **2** YEARS LABOUR **2** YEARS

EXTERIOR FINISH

Clear Glass, ABS Plastic, PVC Plastic

Refrigerant: R600a / 32g

OPERATING CONDITIONS LIMITATIONS

- Ambient temperature range: 10°C / 30°C
- Voltage range: rated voltage $\pm 6\%$

MODEL	Temperature retention (°C)	Net capacity (l)	Electric connection	Electrical circuit breaker protection (A)	Electrical consumption power factor 58% (W)
HNC-120BE-R-BLH	5	42	1/220-240V/50Hz	6	140

TECHNICAL CERTIFICATIONS



For more information visit our website at www.hoshizaki-europe.com
Hoshizaki Europe B.V. retains the right to change products and their specifications without prior notice.

HOSHIZAKI UK
2 The Technology Centre
London Road
Swanley, Kent BR8 7AG
United Kingdom

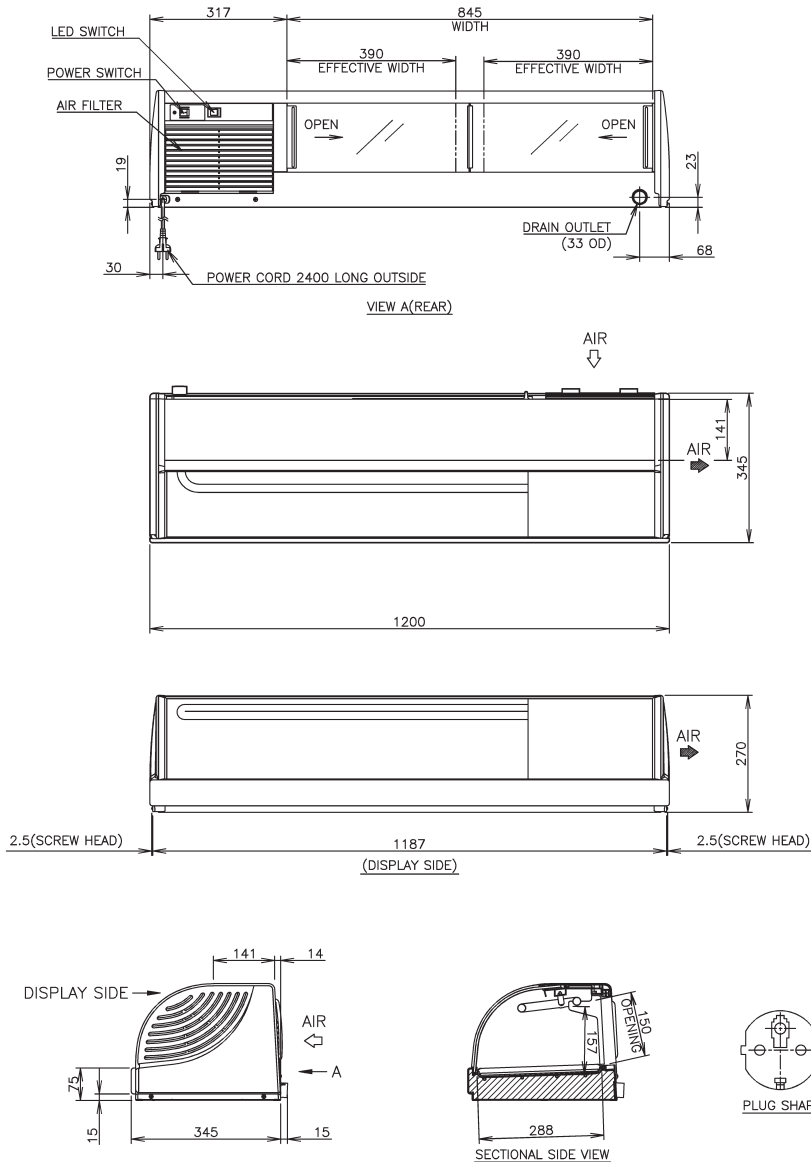
T. +44 (0)845 456 0585
uksales@hoshizaki.uk
www.hoshizaki.uk



HOSHIZAKI

LEADING NATURALLY

HNC-120BE-R-BLH Sushi case with LED lighting, right sided



SHIPPING SPECIFICATIONS

MODEL	Net equipment dimensions		Crated dimensions		
	W x D x H (mm)	Net weight (kg)	W x D x H (mm)	Gross weight (kg)	Volume (m ³)
HNC-120BE-R-BLH	1200 x 345 x 270	32	1280 x 415 x 517	44	0.27

- ACCESSORIES
- Food mount (large) x 2
 - Food mount (small) x 1
 - Joint x 1
 - Drain hose x 1



Hoshizaki Belgium:
Hoshizaki Denmark:
Hoshizaki Deutschland:
Hoshizaki France:
Hoshizaki Iberia:
Hoshizaki Italia:
Hoshizaki Middle East:

info@hoshizaki.be
info@hoshizaki.dk
info@hoshizaki.de
info@hoshizaki.fr
info@hoshizaki.es
info@hoshizaki.it
sales@hoshizaki.ae

Hoshizaki Netherlands:
Hoshizaki Norge:
Hoshizaki United Kingdom:
Hoshizaki Sverige:
Export Countries:
Other countries:

info@hoshizaki.nl
info@hoshizaki.no
uksales@hoshizaki.uk
orderSE@hoshizaki.dk
sales@hoshizaki.nl
sales@hoshizaki.nl

www.hoshizaki-europe.com