

No.	E1GA-3760
ISSUED:	Nov. 30, 2012
REVISED:	



HOSHIZAKI
SELF-CONTAINED FLAKER
MODEL IM-240ANE-HC
(E1GA)

PARTS LIST
(HE)

B-1 NOV. 2012

AUXILIARY CODE

U - 1

The auxiliary code is the first two characters in the serial number. The first character indicates the production year. Years progress or regress in alphabetical order. The series of letters and skipped letters depend on UL listing, production, and model. See the auxiliary code(s) and corresponding year(s) on the front cover.

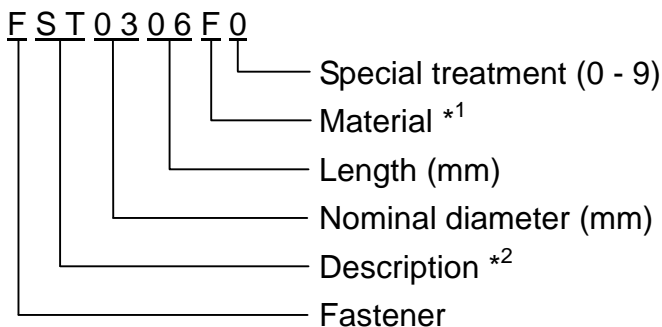
The second character indicates significant part changes within the same year. Base is "1" and this number advances for each change. If there is no significant part change at the turn of the year, this number starts from "0."

MARKS LOCATED UNDER THE AUXILIARY CODE

- = Part deleted.
- x = Part deleted and replaced by "o" part.
- o = New part in place of "x" part.

FASTENER PART NUMBER

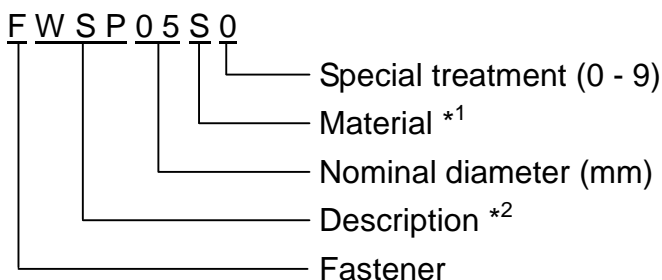
SCREWS



*1 Material

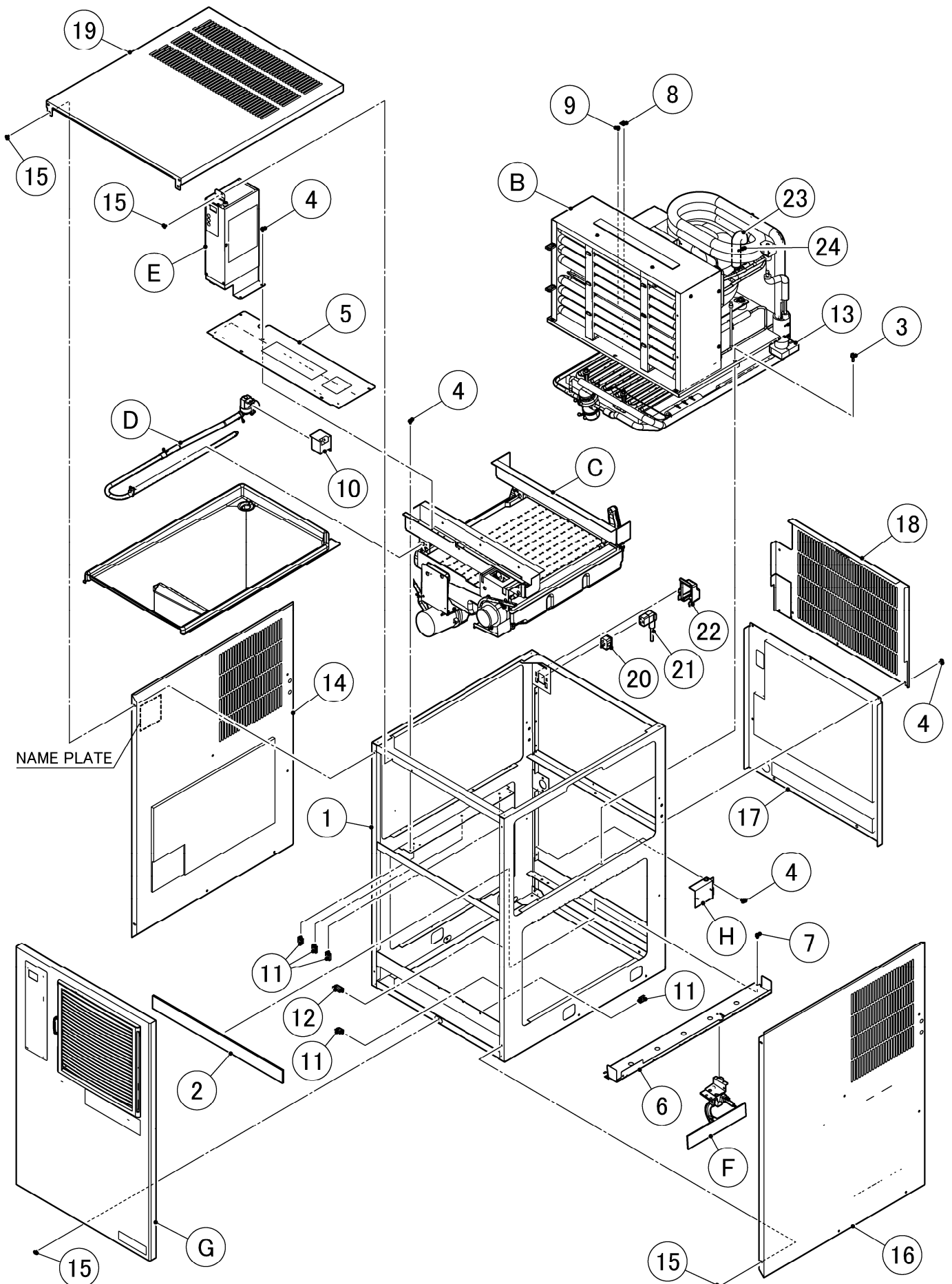
- F: Steel
- S: Austenitic stainless steel
- M: Martensitic stainless steel
- B: Copper alloy
- P: Polycarbonate
- N: Polyamide
- V: PVC
- A: ABS
- X: Polyacetal
- L: Aluminum

NUTS & WASHERS



*2 Description

- First letter
- S: Machine screw
- T: Tapping screw
- M: Wood screw
- B: Bolt
- W: Washer
- N: Nut

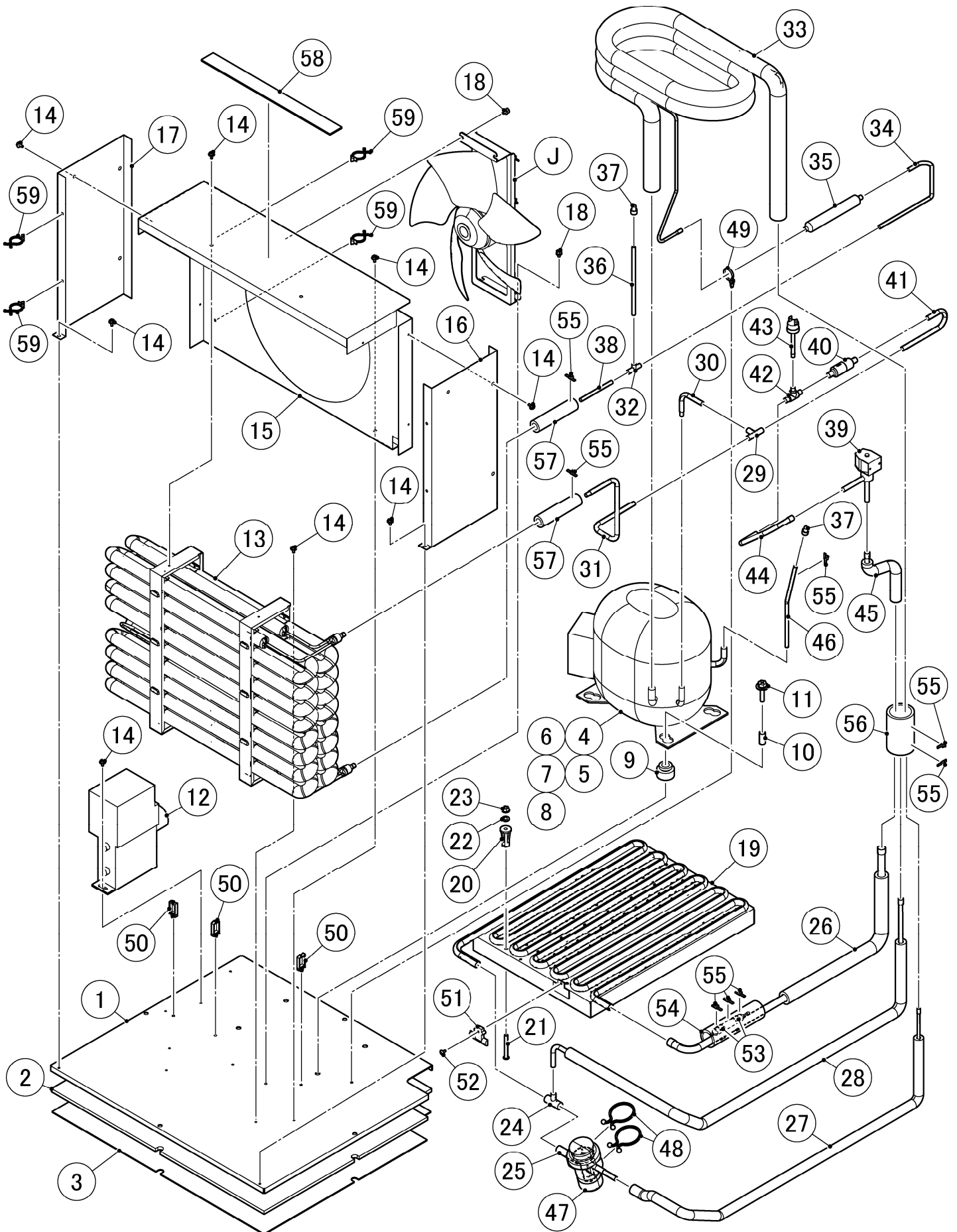


HE

MODEL: IM-240ANE-HC		TITLE: A. ICE FLAKER ASSY						
INDEX NO.	DESCRIPTION	MATERIAL OR MODEL NUMBER	PART NUMBER	REQ'D NUMBER				
				B-1				
B	REFRIGERATION ASSY		122308A01	1				
C	MECHANISM ASSY		1H4743A01	1				
D	WATER CIRCUIT ASSY		2X0229A01	1				
E	CONTROL BOX ASSY		122306A01	1				
F	BIN SWITCH-2 ASSY		3Y5468A01	1				
G	FRONT COVER ASSY		263633A01	1				
H	GAS SENSOR ASSY		477823A01	1				
R	ACCESSORIES		A02690-01	1				
S	OPTIONAL PARTS		OPT-E1CP	1				
1	UNIT FRAME		1H4740G01	1				
2	INSULATION-FRAME (A)		4Y6982P01	1				
3	HEX HEAD BOLT (SPRING WASHER AND FLAT WASHER)		FBK0620S0	4				
4	Flange Bolt (C-TITE)		FTR0408M0	22				
5	COVER - FRAME		377461G01	1				
6	FRAME-BIN SWITCH		3Y5348M01	1				
7	HEX HEAD BOLT (SPRING WASHER AND FLAT WASHER)		FBK0508S0	2				
8	LABEL - GROUND (B)		450452-02	1				
9	HEX HEAD BOLT (SPRING WASHER AND FLAT WASHER)		FBK0408S0	1				
10	COVER-WATER VALVE		3Y6277M01	1				
11	WIRE SADDLE		428060-03	5				
12	WIRE SADDLE		428060-02	1				
13	INSULATION		4Y0306-01	1				
14	SIDE PANEL (L)		263627G01	1				
15	S-TITE TRUSS HEAD SCREW		FTS0408M0	16				
16	SIDE PANEL (R)		263630G01	1				
17	REAR PANEL		3Y5785G01	1				
18	REAR PANEL UP		2X0612M01	1				
19	TOP PANEL		2X0236M01	1				
20	CONNECTOR		P00246-01	1				
21	POWER CORD	CONT Plug	P00243-01	1				
		UK Plug	P00244-01	1				

HE

MODEL: IM-240ANE-HC		TITLE: A. ICE FLAKER ASSY						
INDEX NO.	DESCRIPTION	MATERIAL OR MODEL NUMBER	PART NUMBER	REQ'D NUMBER				
				B-1				
22	COVER-CONNECTOR		2X0271P01	1				
23	INSULATION TUBE		H71527130	1				
24	TIE	CV-150	7920-0003	1				

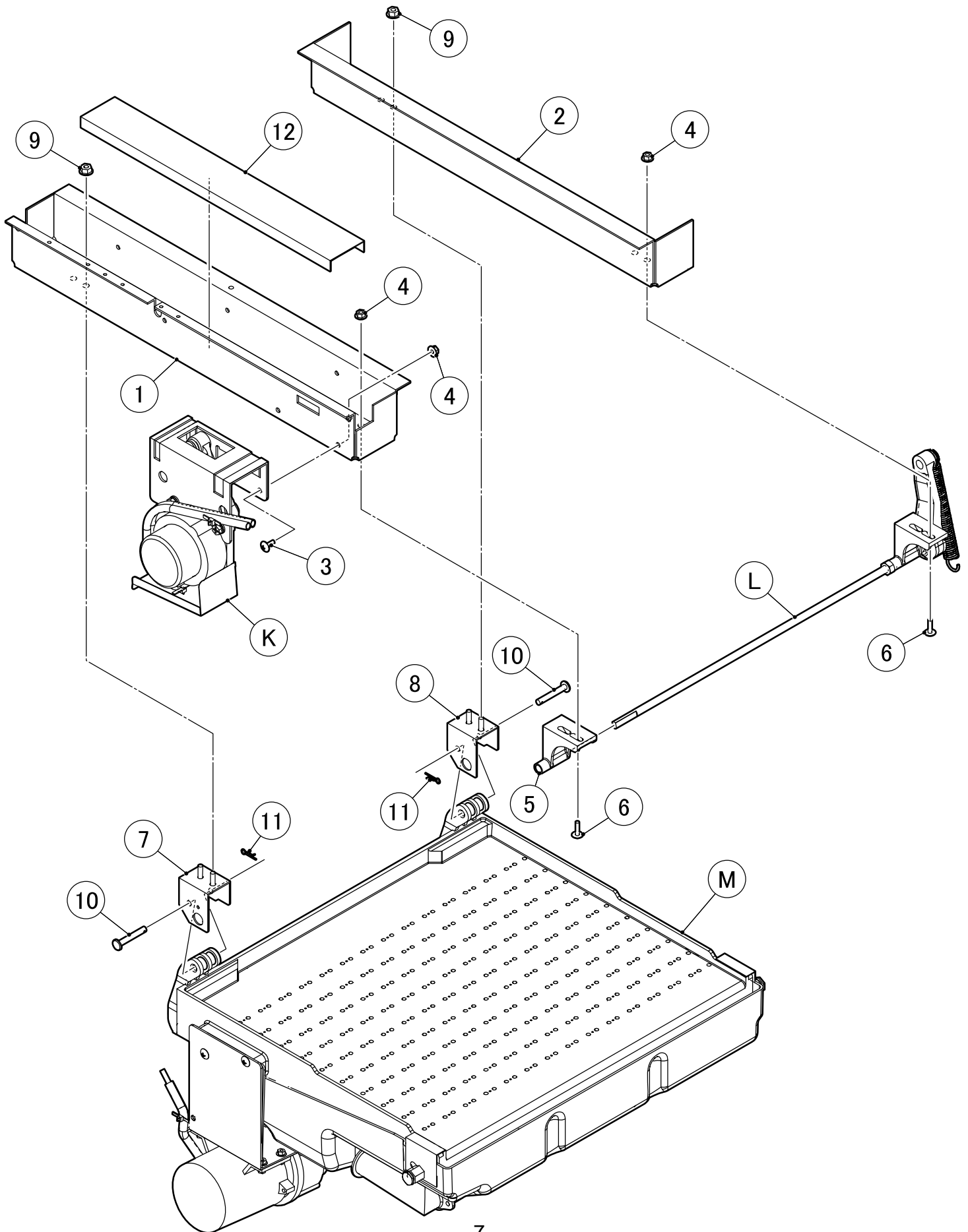


HE

MODEL: IM-240ANE-HC					TITLE: B. REFRIGERATION CIRCUIT				
INDEX NO.	DESCRIPTION	MATERIAL OR MODEL NUMBER	PART NUMBER	REQ'D NUMBER					
				B-1					
J	FAN MOTOR ASSY		3Y5078A01	1					
1	BASE		377463G01	1					
2	INSULATION - BASE		4Y6898P01	1					
3	PLATE/BASE		4Y0249-01	1					
4	COMPRESSOR		P02809-01	1					
5	PROTECTOR		P02812-01	1					
6	PROTECTOR RETAINER		P02815-01	1					
7	SCREW		P00840-01	1					
8	TERMINAL COVER		P02814-01	1					
9	GROMMET		P00846-01	4					
10	SPACER		P00847-01	4					
11	BOLT		436206-03	4					
12	BOX WITH ELECTRICAL COMPONENTS		P02841-01	1					
13	CONDENSER ASSY		263639G01	1					
14	Flange Bolt (C-TITE)		FTR0408M0	16					
15	SHROUD		263619M01	1					
16	SHROUD (R) - SIDE		263620M01	1					
17	SHROUD (L) - SIDE		263620M02	1					
18	HEX HEAD BOLT (SPRING WASHER AND FLAT WASHER)		FBK0508F0	4					
19	EVAPORATOR		2H7526G02	1					
20	COLLAR		3H3879-01	4					
21	SCREW EVAPORATOR		4Y4922M02	4					
22	WASHER		4H0777-01	4					
23	FLANGE NUT		FNHF06S0	4					
24	TEE		420041-27	1					
25	EXPANSION VALVE		P02819-01	1					
26	COPPER TUBE (A) - LOW SIDE		3Y5353G01	1					
27	COPPER TUBE (E) - H		263624G01	1					
28	COPPER TUBE C - HG		263623G01	1					
29	TEE		420041-11	1					

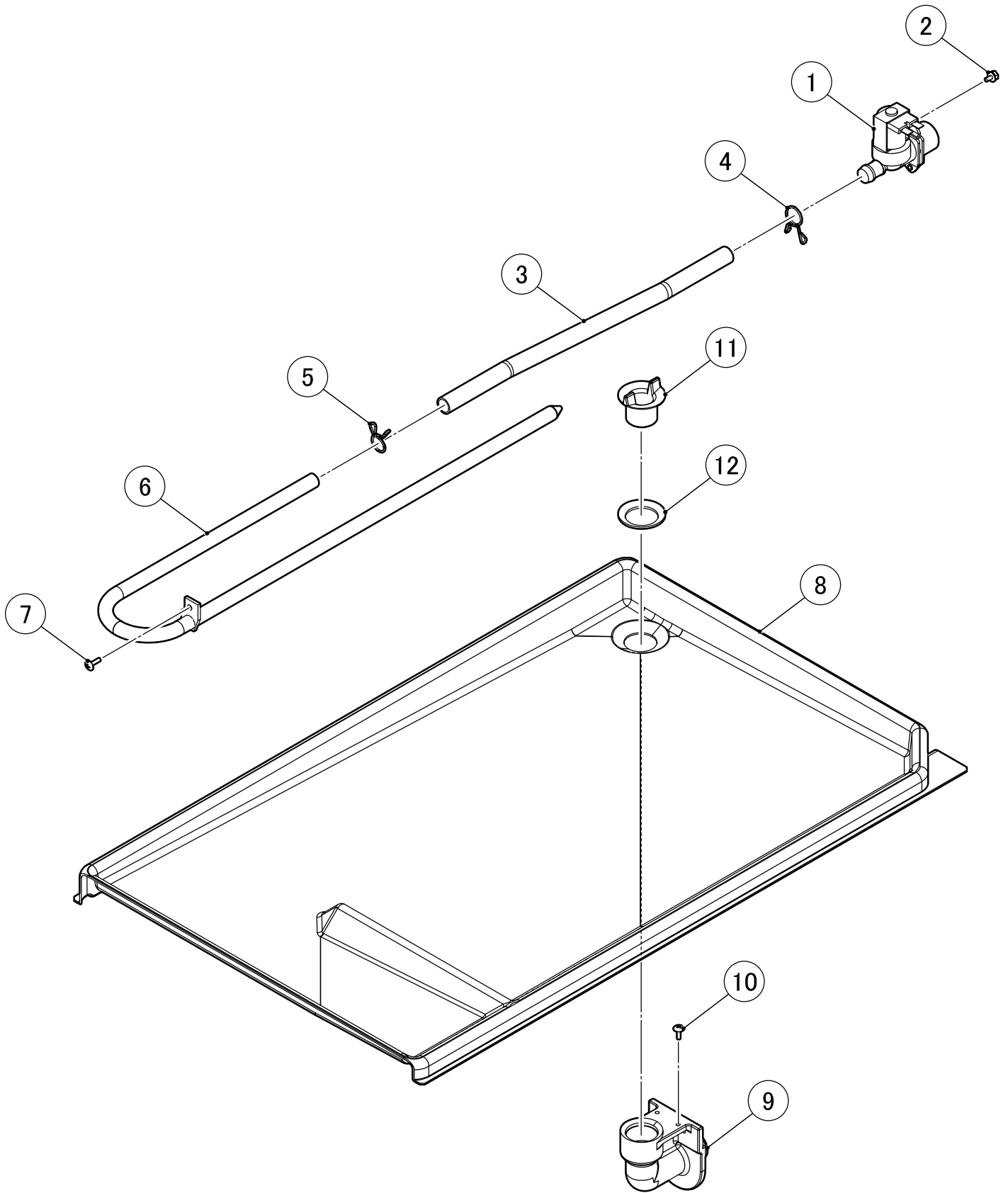
HE

MODEL: IM-240ANE-HC		TITLE: B. REFRIGERATION CIRCUIT						
INDEX NO.	DESCRIPTION	MATERIAL OR MODEL NUMBER	PART NUMBER	REQ'D NUMBER				
				B-1				
30	COPPER TUBE A - D		477813M01	1				
31	COPPER TUBE D		377450M01	1				
32	TEE - 6.4		417394-01	1				
33	HEAT EXCHANGER		263625G01	1				
34	COPPER TUBE E		477815M01	1				
35	DRIER		462813-01	1				
36	COPPER TUBE C - COND		477814M01	1				
37	LOCKRING STOPPER		P01677-01	2				
38	COPPER TUBE A - COND		477832M01	1				
39	HOT GAS VALVE		P01871-01	1				
40	STRAINER		P00812-01	1				
41	COPPER TUBE A - HG		477816M01	1				
42	TEE		439140-02	1				
43	PRESSURE SWITCH	R134a,R22,R404A,R290	459863-08	1				
44	COPPER TUBE B - HG		477817M01	1				
45	COPPER TUBE D - HG		377451G01	1				
46	COPPER TUBE (F) - L		477818M01	1				
47	VALVE COVER		3Y3051P01	1				
48	CLAMP		P00752-01	2				
49	PUSH MOUNT TIE		436156-01	1				
50	WIRE SADDLE		428060-02	3				
51	HOLDER - THERMISTOR		3H9642-01	1				
52	S-TITE TRUSS HEAD SCREW		FTS0408M0	1				
53	CLIP		452254-02	2				
54	INSULATION		4X8643-01	1				
55	TIE	CV-150	7920-0003	8				
56	Insulation Tube		H72636A80	1				
57	Insulation Tube		H71323B10	2				
58	INSULATION-CONT		4Y7013P01	1				
59	CLAMP		427902-02	4				



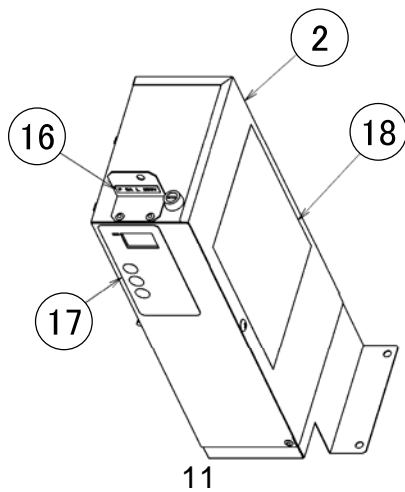
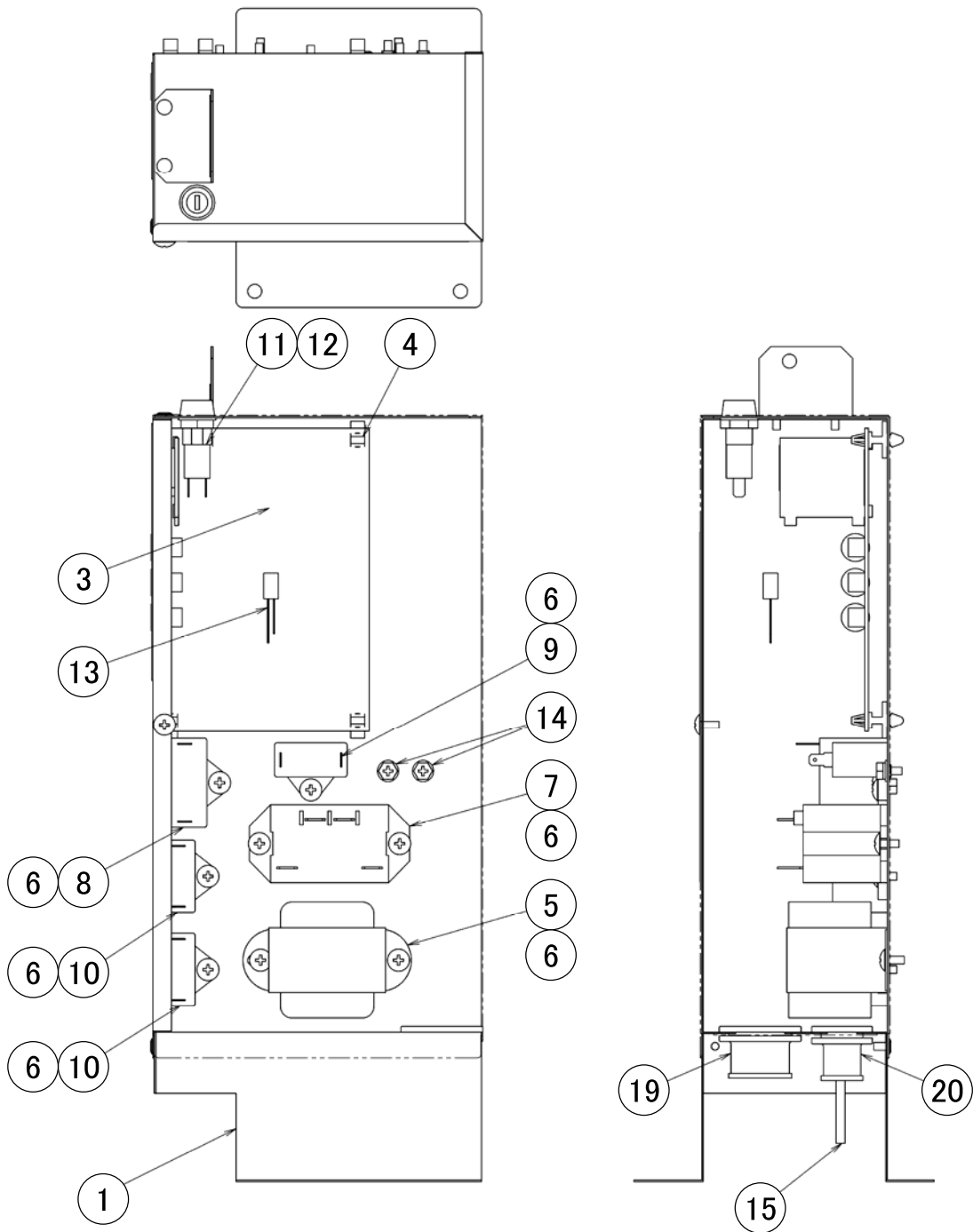
HE

MODEL: IM-240ANE-HC				TITLE: C. MECHANISM ASSY				
INDEX NO.	DESCRIPTION	MATERIAL OR MODEL NUMBER	PART NUMBER	REQ'D NUMBER				
				B-1				
K	ACTUATOR MOTOR ASSY		3Y5304A01	1				
L	CAM SHAFT ASSY		3Y5364A01	1				
M	WATER PAN ASSY		1H4689A01	1				
1	FRAME-FRONT		2X0224M01	1				
2	FRAME-REAR		2X0225M01	1				
3	TRUSS HEAD MACHINE SCREW		FST0512S0	2				
4	FLANGE NUT		FNHF05S0	6				
5	BEARING-CAM SHAFT		3X8307-02	1				
6	TRUSS HEAD SCREW		FST0516S0	4				
7	BEARING PLATE		3H1440G03	1				
8	BEARING PLATE		3H1440G04	1				
9	FLANGE NUT		FNHF06S0	4				
10	SHAFT (B)		4H1184-02	2				
11	SNAP PIN		715S-0006	2				
12	GUIDE-CONNECTOR		4H5619-01	1				



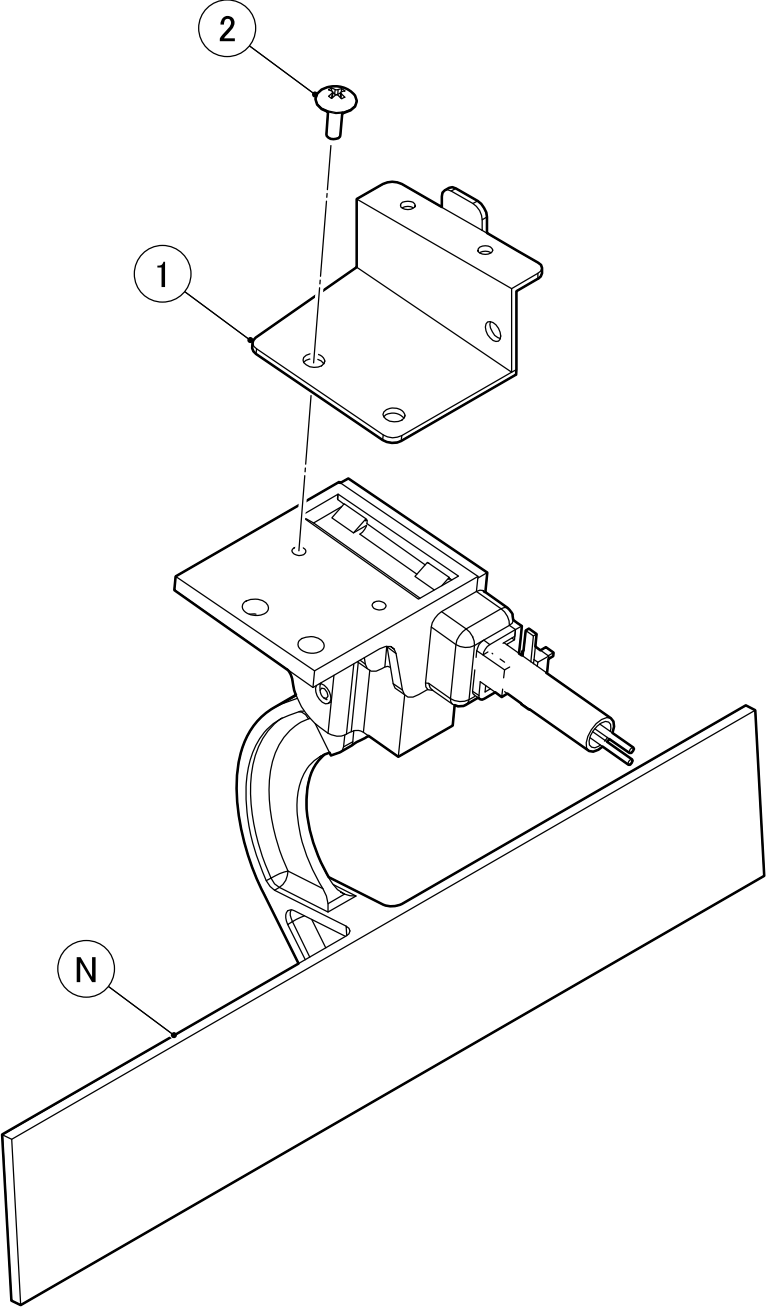
HE

MODEL: IM-240ANE-HC		TITLE: D. WATER CIRCUIT ASSY						
INDEX NO.	DESCRIPTION	MATERIAL OR MODEL NUMBER	PART NUMBER	REQ'D NUMBER				
				B-1				
1	WATER VALVE		P02056-01	1				
2	HEX HEAD BOLT (SPRING WASHER AND FLAT WASHER)		FBK0408S0	2				
3	SILICONE HOSE		4Y6912R04	1				
4	HOSE CLAMP		435934-03	1				
5	HOSE CLAMP		435934-02	1				
6	WATER SUPPLY PIPE		3H9533G01	1				
7	TRUSS HEAD SCREW		FST0412S0	1				
8	DRAIN PAN(AD)		3X6460-01	1				
9	DRAIN PIPE		315825-01	1				
10	T2 TRUSS HEAD SCREW		FT20410M0	2				
11	DRAIN YOKE		418296-01	1				
12	PACKING		413857-01	1				



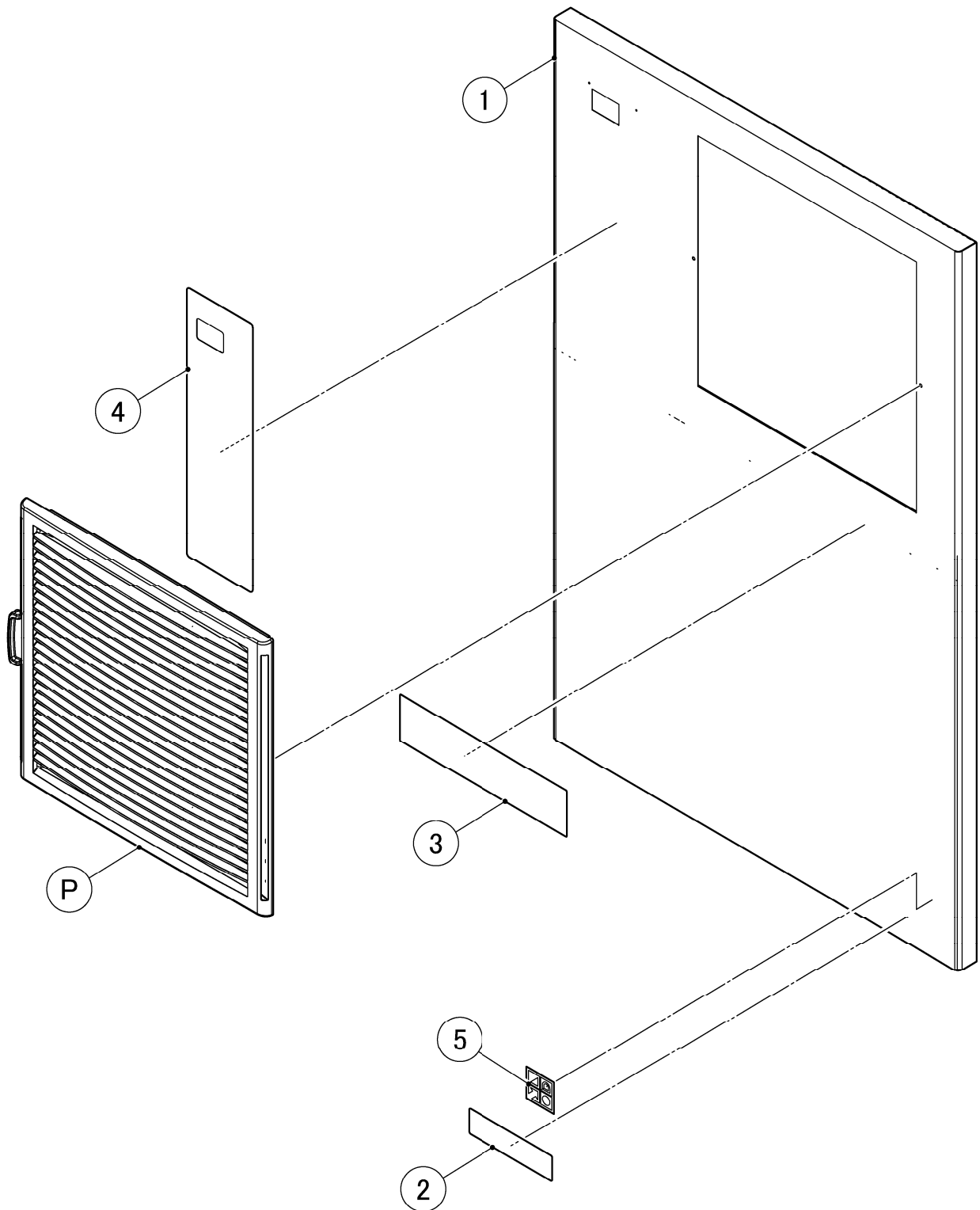
HE

MODEL: IM-240ANE-HC		TITLE: E. CONTROL BOX ASSY						
INDEX NO.	DESCRIPTION	MATERIAL OR MODEL NUMBER	PART NUMBER	REQ'D NUMBER				
				B-1				
1	CONTROL BOX (G)		377458G01	1				
2	COVER - CONTROL BOX		377460M01	1				
3	CONTROLLER BOARD		P01873-01	1				
4	BOARD SUPPORT		414929-02	4				
5	TRANSFORMER		P02714-01	1				
6	T2 TRUSS HEAD SCREW		FT20408F0	9				
7	POWER RELAY		P00034-01	1				
8	CAPACITOR		P01865-01	1				
9	CAPACITOR		P01910-01	1				
10	CAPACITOR		P01870-01	2				
11	FUSE HOLDER		P02829-01	1				
12	FUSE		P01992-01	1				
13	CAPACITOR		P02884-01	1				
14	HEX HEAD BOLT (SPRING WASHER AND FLAT WASHER)		FBK0408S0	2				
15	THERMISTOR-CUBE COTROL		P00350-01	1				
16	LABEL - FUSE		466798-01	1				
17	CONTROL LABEL		475642L01	1				
18	WIRING LABEL		377490L01	1				
19	GROMMET		4H2568-01	1				
20	GROMMET		4H2568-02	1				



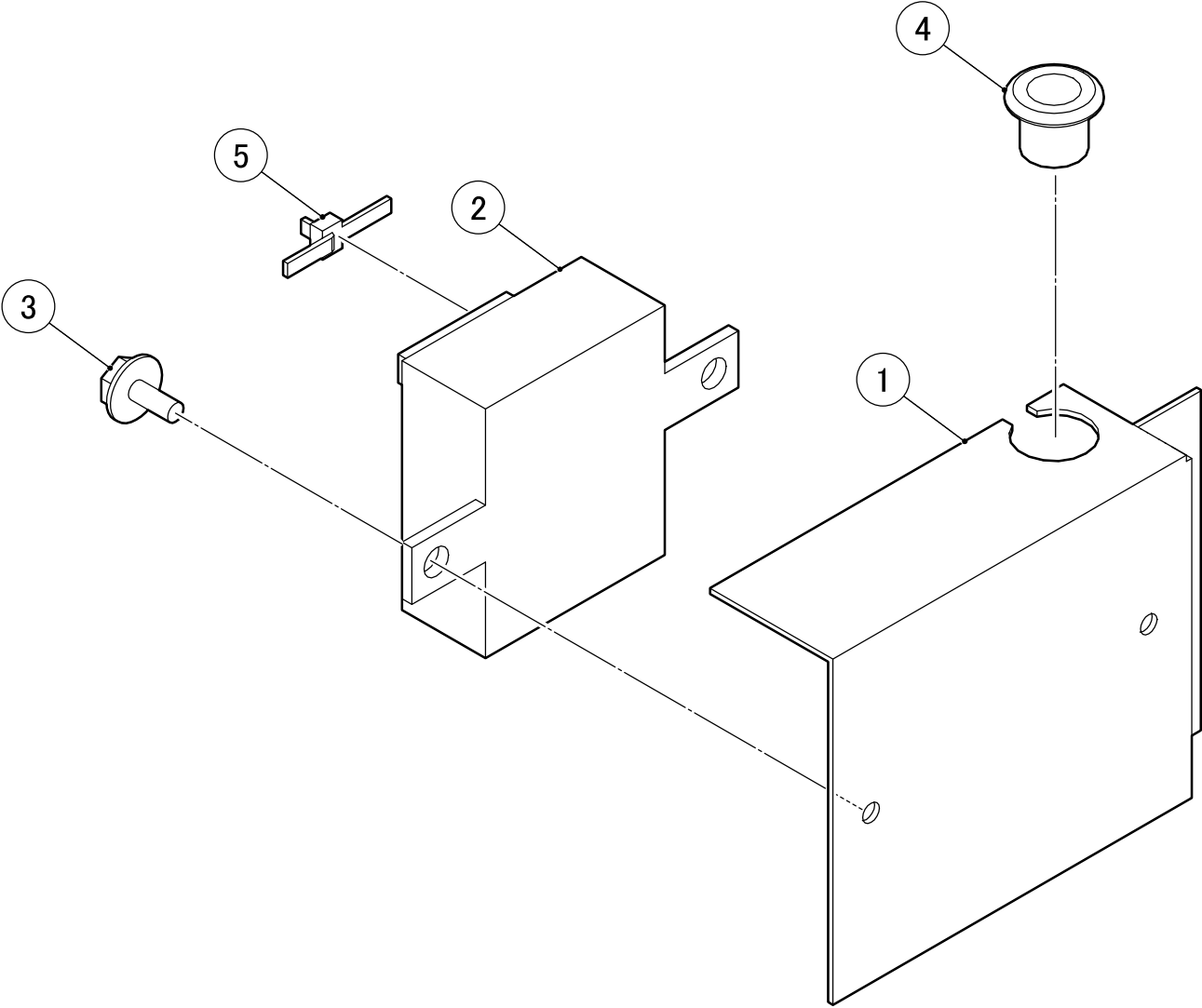
HE

MODEL: IM-240ANE-HC		TITLE: F. BIN SWITCH-2 ASSY						
INDEX NO.	DESCRIPTION	MATERIAL OR MODEL NUMBER	PART NUMBER	REQ'D NUMBER				
				B-1				
N	BIN SWITCH ASSY		3Y5380A01	1				
1	BRACKET-BIN SWITCH		4Y6892M01	1				
2	T2 TRUSS HEAD SCREW		FT20410M0	2				



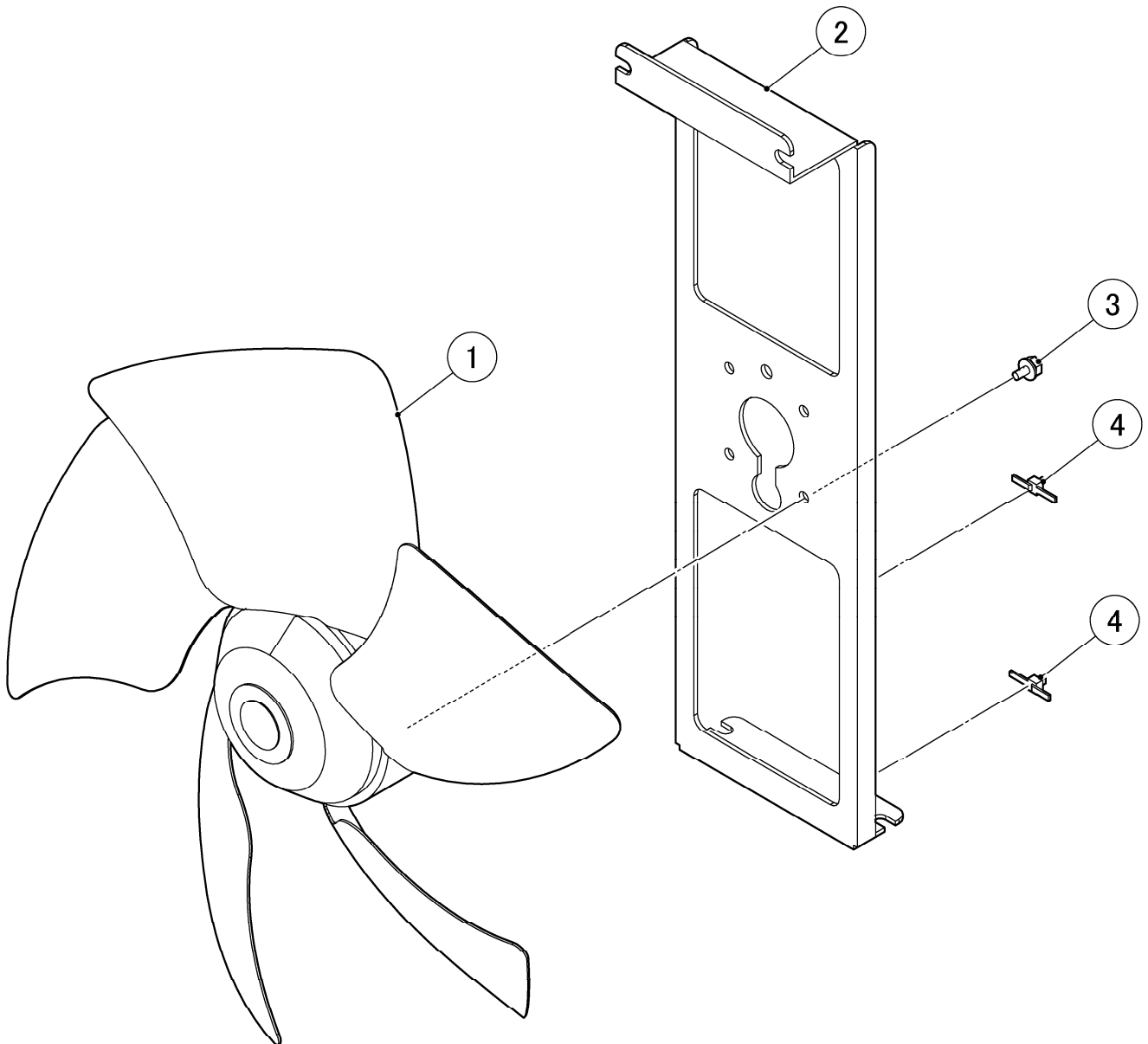
HE

MODEL: IM-240ANE-HC		TITLE: G. FRONT COVER ASSY						
INDEX NO.	DESCRIPTION	MATERIAL OR MODEL NUMBER	PART NUMBER	REQ'D NUMBER				
				B-1				
P	LOUVER ASSY		377439A01	1				
1	FRONT COVER		263634G01	1				
2	LABEL - HFCFREE		373508L01	1				
3	WARNING LABEL - RISK OF FIRE		377581L01	1				
4	OPERATION LABEL		377582L01	1				
5	LABEL - HACCP		476519L01	1				



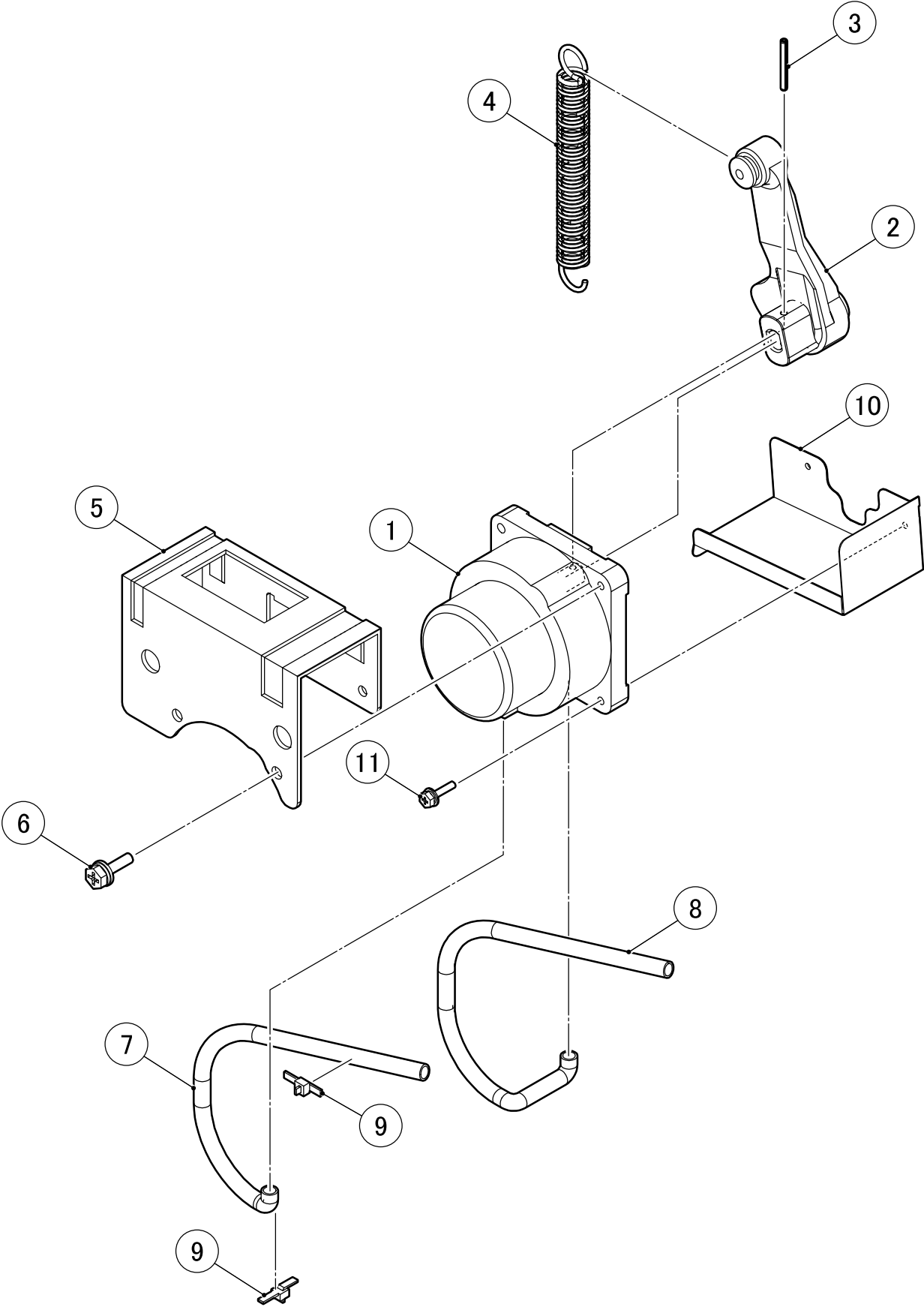
HE

MODEL: IM-240ANE-HC		TITLE: H. GAS SENSOR ASSY						
INDEX NO.	DESCRIPTION	MATERIAL OR MODEL NUMBER	PART NUMBER	REQ'D NUMBER				
				B-1				
1	BRACKET - SENSOR		377456M01	1				
2	GAS SENSOR	8500ppm	P02756-03	1				
3	FLANGE BOLT (C-TITE)		FTR0408M0	2				
4	BUSHING		428394-02	1				
5	NYLON TIE	CV-70	7920-0001	1				



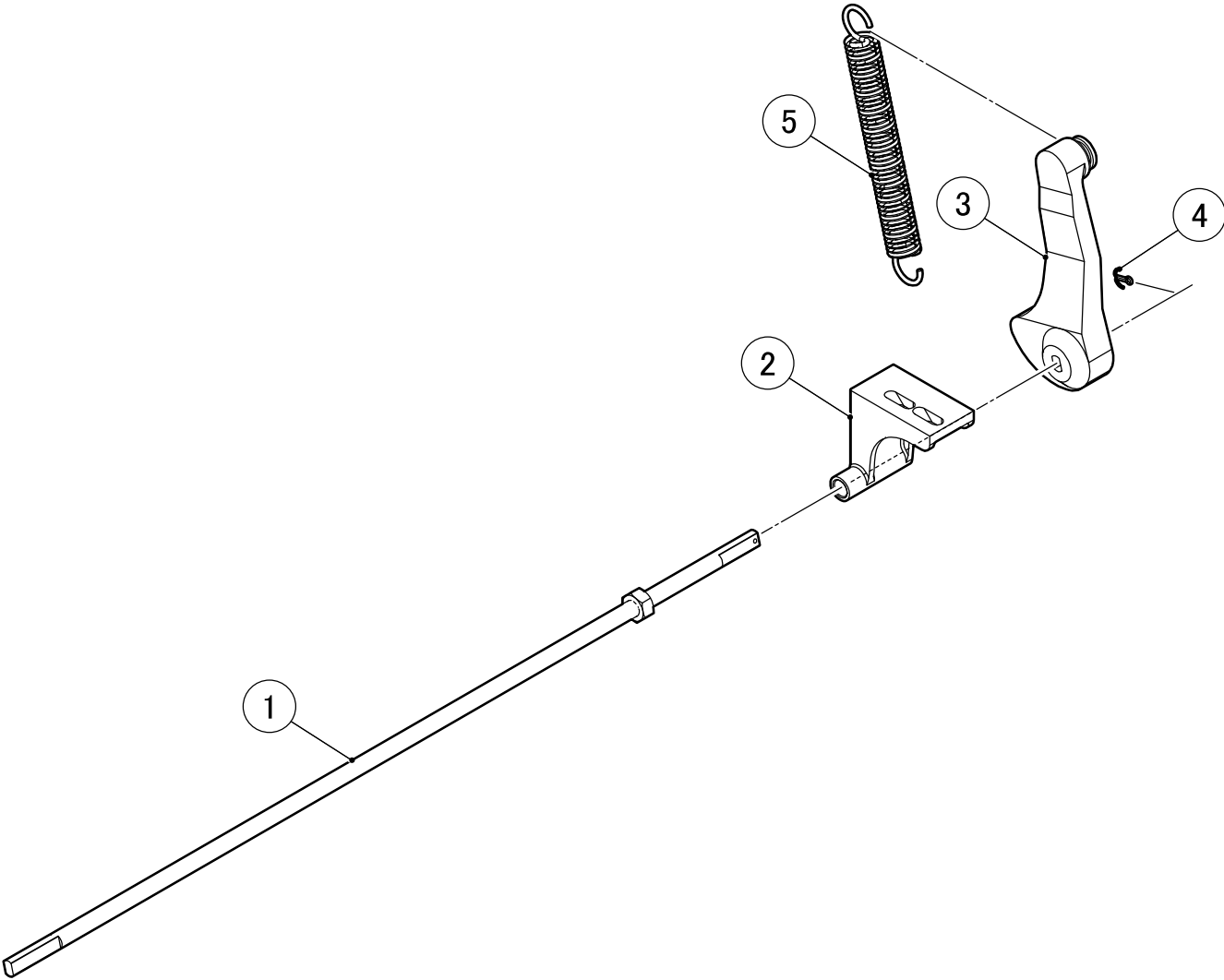
HE

MODEL: IM-240ANE-HC		TITLE: J. FAN MOTOR ASSY						
INDEX NO.	DESCRIPTION	MATERIAL OR MODEL NUMBER	PART NUMBER	REQ'D NUMBER				
				B-1				
1	FAN MOTOR		P02545-01	1				
2	BRACKET-FM		3Y5075M01	1				
3	HEX HEAD BOLT (SPRING WASHER AND FLAT WASHER)		FBK0408F0	5				
4	TIE	CV-100	7920-0002	2				



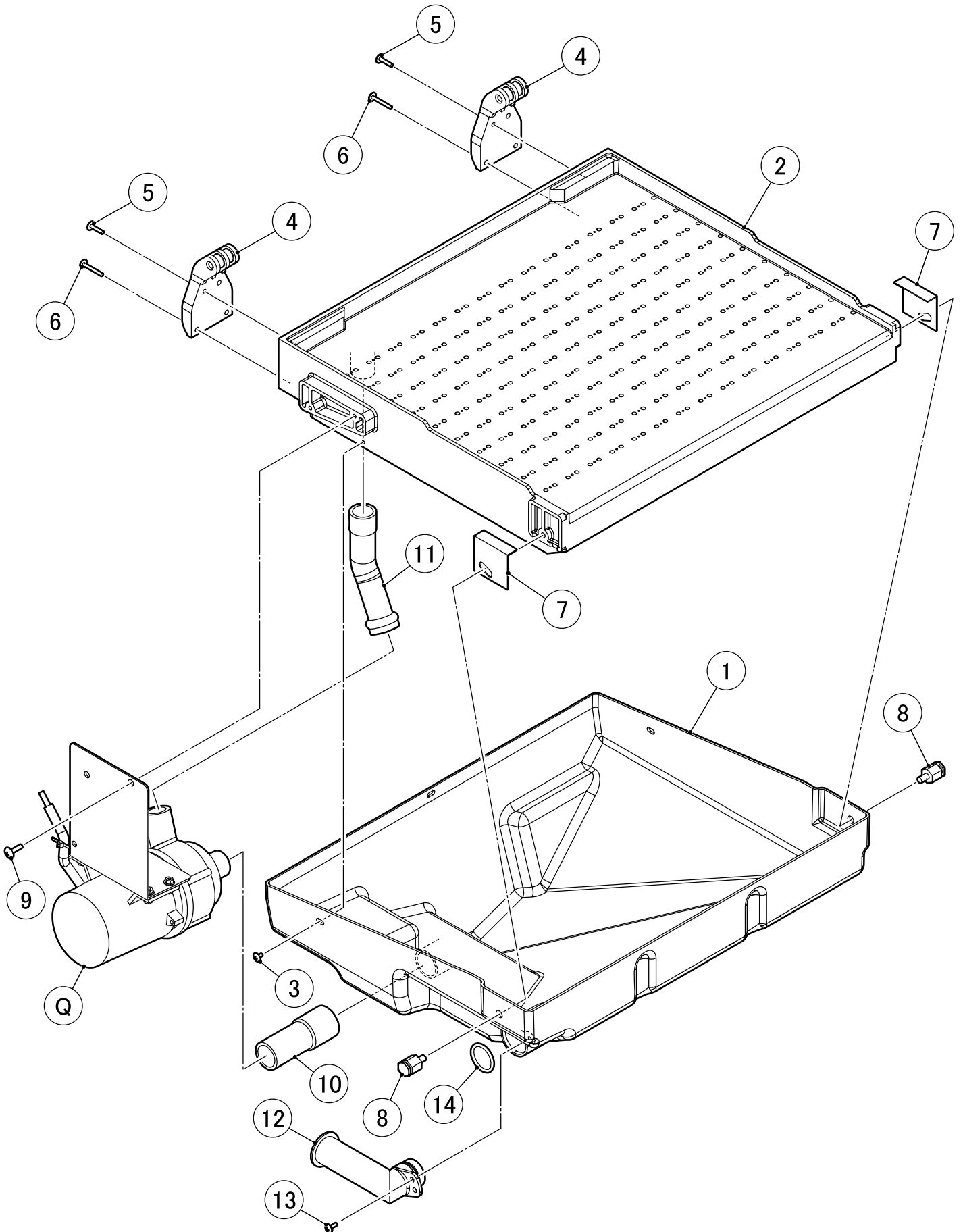
HE

MODEL: IM-240ANE-HC					TITLE: K. ACTUATOR MOTOR ASSY				
INDEX NO.	DESCRIPTION	MATERIAL OR MODEL NUMBER	PART NUMBER	REQ'D NUMBER					
				B-1					
1	ACTUATOR MOTOR		P01869-01	1					
2	CAM(A)		306543G03	1					
3	SPRING PIN 3*28		712S-0328	1					
4	EXTEN SPRING		4H3473-01	1					
5	BRACKET-AM		3Y2924M01	1					
6	HEX HEAD BOLT (SPRING WASHER AND FLAT WASHER)		FBK0620S0	2					
7	TUBE-SILICONE		4Y6751Z02	1					
8	TUBE-SILICONE		4X8017-07	1					
9	TIE	CV-150	7920-0003	2					
10	COVER-AM		3Y5292M01	1					
11	HEX HEAD BOLT (SPRING WASHER AND FLAT WASHER)		FBK0416S0	2					



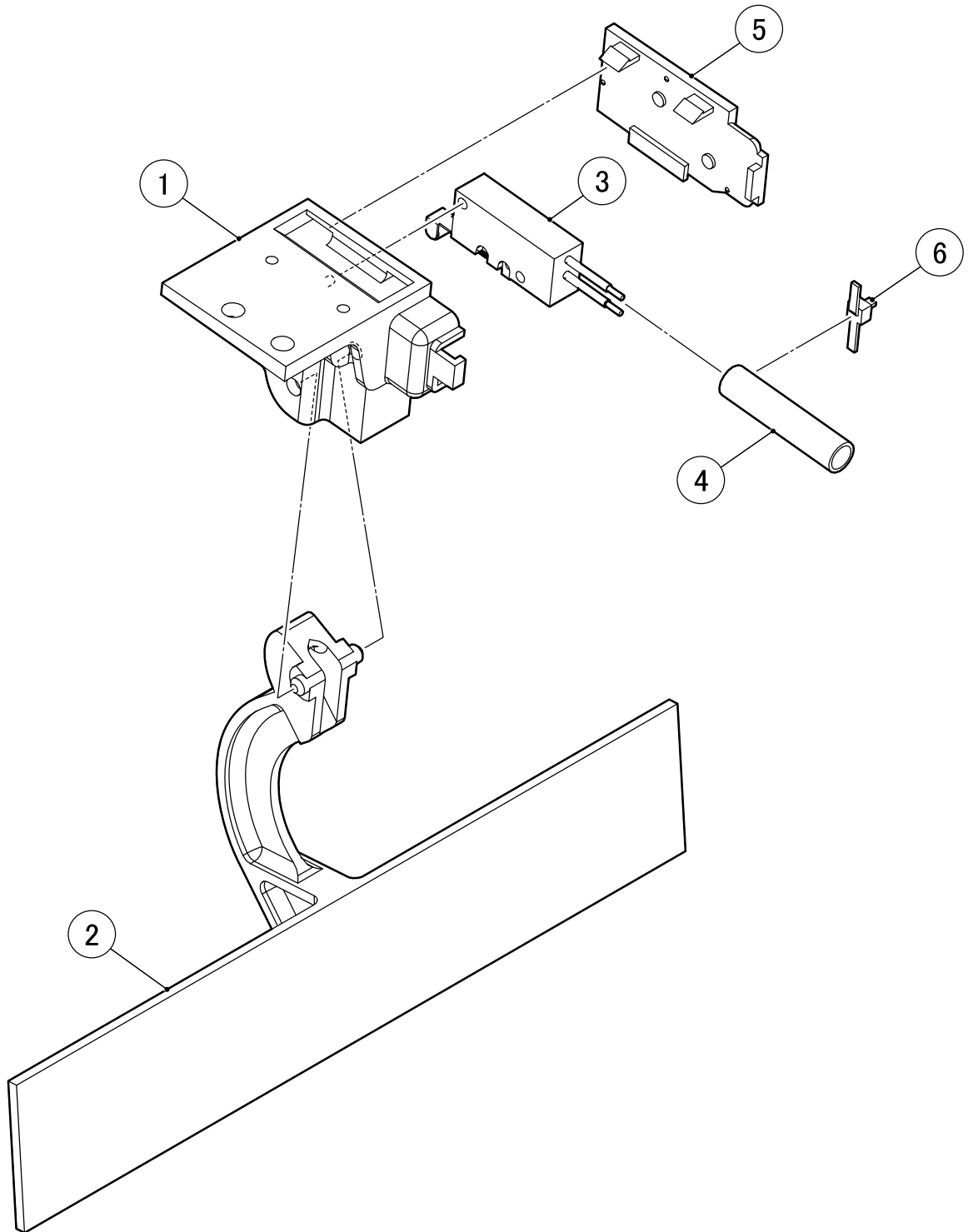
HE

MODEL: IM-240ANE-HC		TITLE: L. CAM SHAFT ASSY						
INDEX NO.	DESCRIPTION	MATERIAL OR MODEL NUMBER	PART NUMBER	REQ'D NUMBER				
				B-1				
1	CAM SHAFT		425511G01	1				
2	BEARING-CAM SHAFT		3X8307-02	1				
3	CAM (B)		315775-01	1				
4	CUTTER PIN		711S-0212	1				
5	EXTEN SPRING		4H3473-01	1				



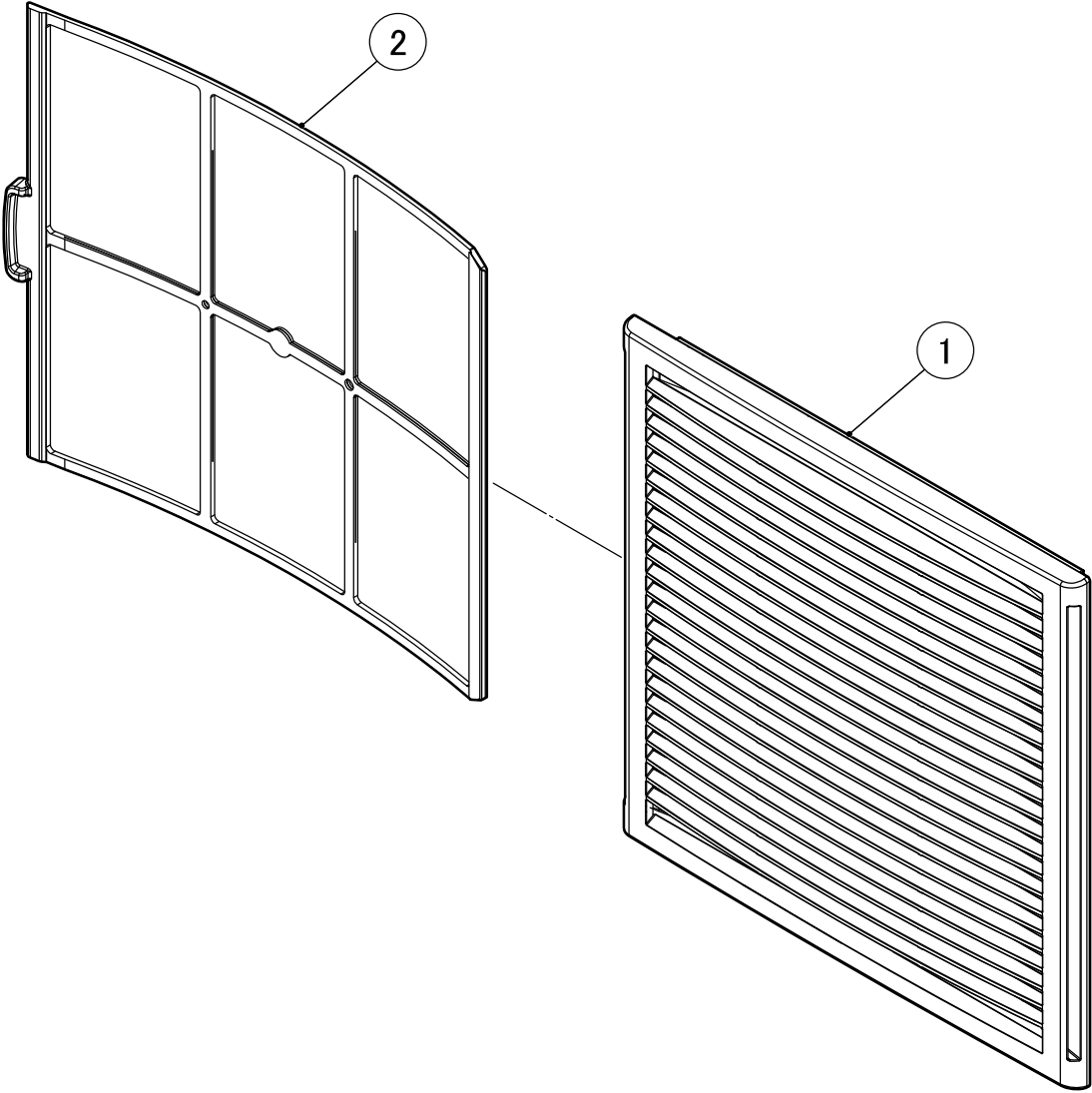
HE

MODEL: IM-240ANE-HC		TITLE: M. WATER PAN ASSY						
INDEX NO.	DESCRIPTION	MATERIAL OR MODEL NUMBER	PART NUMBER	REQ'D NUMBER				
				B-1				
Q	PUMP MOTOR ASSY		3Y5303A01	1				
1	WATER PAN		1H0888-02	1				
2	WATER PLATE		208020G01	1				
3	TRUSS HEAD TAPPING SCREW T2		FT20406M0	3				
4	WATER PAN HANGER		3H2059-01	2				
5	T2 TRUSS HEAD SCREW		FT20416M0	4				
6	T2 TRUSS HEAD SCREW		FT20425M0	4				
7	BRACKET		402957-01	2				
8	SCREW SPRING HOOK		4H2582G01	2				
9	TRUSS HEAD TAPPING SCREW T2		FT20516M0	2				
10	SUCTION TUBE		4Y6641R01	1				
11	DISCHARGE TUBE		4Y6642R01	1				
12	PIPE-DRAIN		315530-01	1				
13	TRUSS HEAD SCREW		FST0410S0	1				
14	O-RING		7611-G025	1				



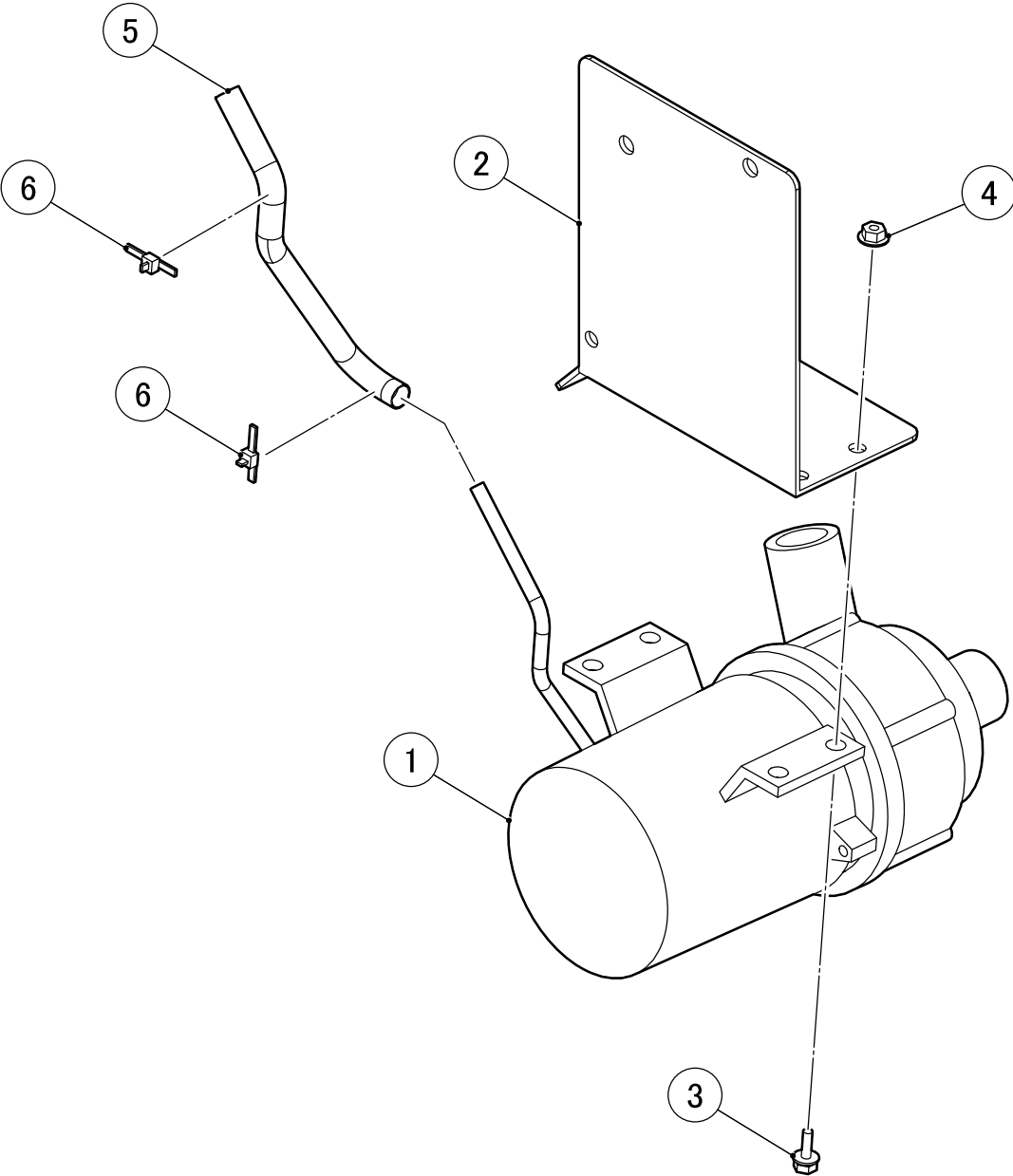
HE

MODEL: IM-240ANE-HC		TITLE: N. BIN SWITCH ASSY						
INDEX NO.	DESCRIPTION	MATERIAL OR MODEL NUMBER	PART NUMBER	REQ'D NUMBER				
				B-1				
1	SWITCH BOX		2H2043-01	1				
2	SWITCH - ACTUATOR		2H7202-01	1				
3	MICRO SWITCH		456432-01	1				
4	TUBE-SILICONE		4X8017-03	1				
5	SWITCH BOX COVER		4H8785-01	1				
6	TIE	CV-100	7920-0002	1				



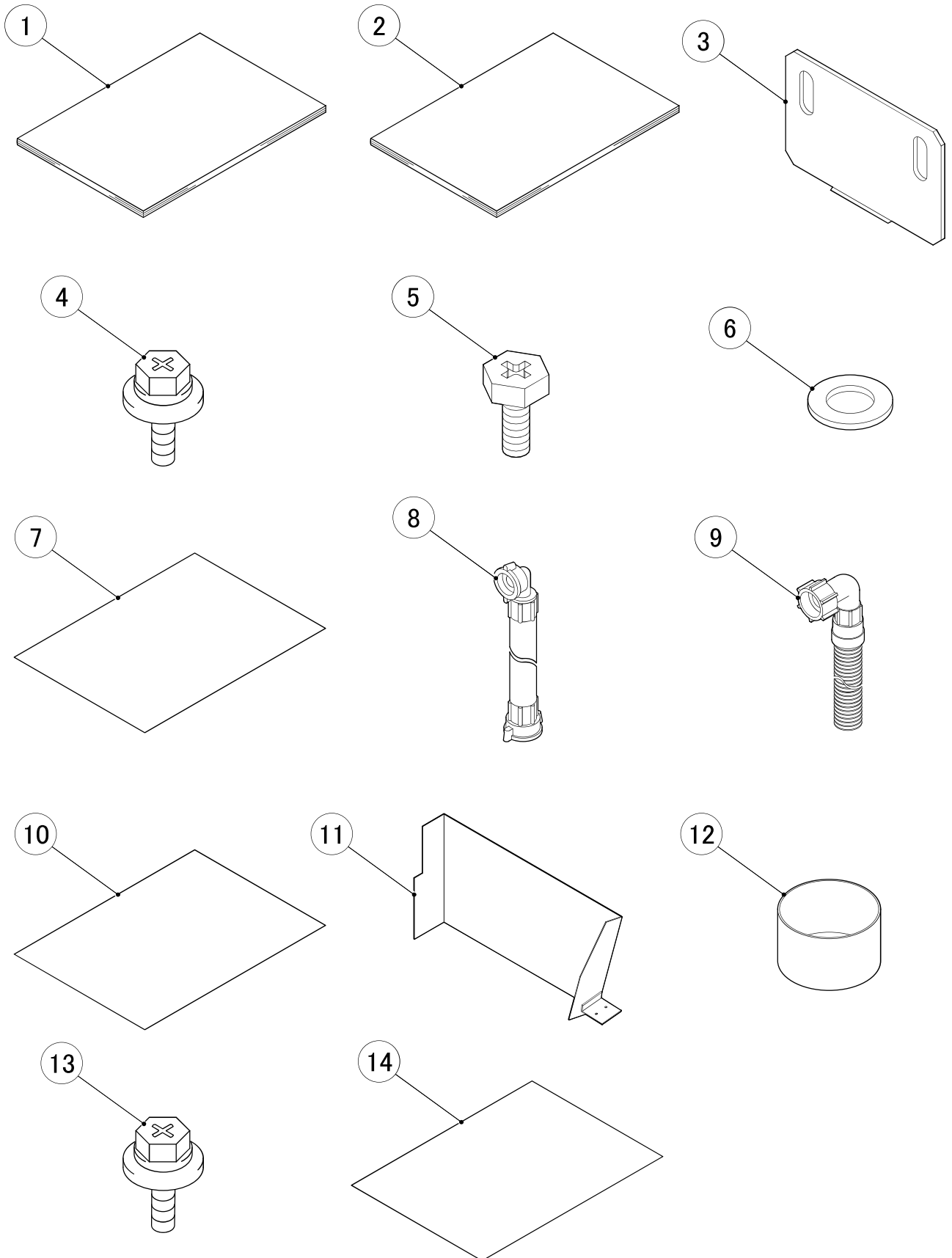
HE

MODEL: IM-240ANE-HC		TITLE: P. LOUVER ASSY						
INDEX NO.	DESCRIPTION	MATERIAL OR MODEL NUMBER	PART NUMBER	REQ'D NUMBER				
				B-1				
1	LOUVER		121931P01	1				
2	AIR FILTER		262259G01	1				



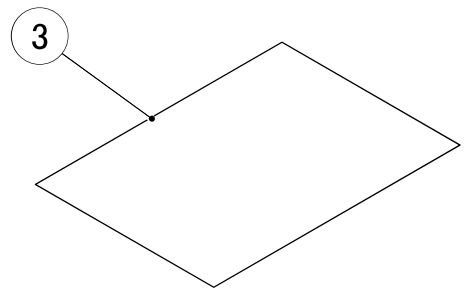
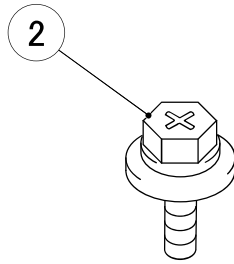
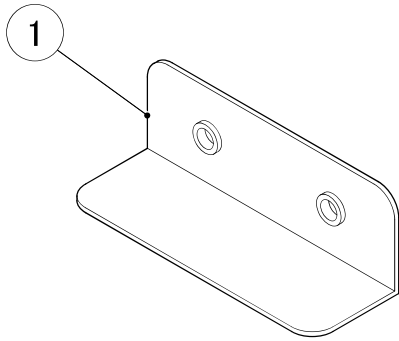
HE

MODEL: IM-240ANE-HC		TITLE: Q. PUMP MOTOR ASSY					
INDEX NO.	DESCRIPTION	MATERIAL OR MODEL NUMBER	PART NUMBER	REQ'D NUMBER			
				B-1			
1	PUMP MOTOR		P01868-01	1			
2	BRACKET/PUMP		4Y6617M01	1			
3	HEX HEAD BOLT (SPRING WASHER AND FLAT WASHER)		FBK0412S0	4			
4	FLANGE NUT		FNHF04S0	4			
5	TUBE-SILICONE		4Y7388Z01	1			
6	TIE	CV-100	7920-0002	2			



HE

MODEL: IM-240ANE-HC					TITLE: R. ACCESSORIES				
INDEX NO.	DESCRIPTION	MATERIAL OR MODEL NUMBER	PART NUMBER	REQ'D NUMBER					
				B-1					
1	INSTRUCTION MANUAL		L1E1GA201	1					
2	INSTALLATION MANUAL		L2E1GA201	1					
3	BRACE		4Y7310M01	2					
4	HEX HEAD BOLT (SPRING WASHER AND FLAT WASHER)		FBK0510S0	2					
5	HEX HEAD BOLT		FBH0408S0	2					
6	FLAT WASHER		FWPL04S0	2					
7	PE BAG (STANDARD)		7V91-0009	1					
8	INLET HOSE		450722-01	1					
9	OUTLET HOSE		452365-01	1					
10	PE BAG (STANDARD)		7V91-0013	1					
11	ICE CHUTE		2H9759G01	1					
12	CAP		417323-01	1					
13	HEX HEAD BOLT (SPRING WASHER AND FLAT WASHER)		FBK0408S0	2					
14	INSTRUCTION MANUAL		121594L01	1					



HE

MODEL: IM-240ANE-HC		TITLE: S. OPTIONAL PARTS						
INDEX NO.	DESCRIPTION	MATERIAL OR MODEL NUMBER	PART NUMBER	REQ'D NUMBER				
				B-1				
1	PLATE-ICE CHUTE		4Y6284M01	1				
2	HEX HEAD BOLT (SPRING WASHER AND FLAT WASHER)		FBK0408S0	2				
3	INSTRUCTION SHEET		258216L01	1				