



HOSHIZAKI

B-340SB

Ice storage Bin

Storage bin capacity: 340 kg



PRODUCT SERIES: STORAGE BINS

ITEM NUMBER: M192

COUNTRY OF ORIGIN: UK

The B-340SB storage bin with a max. storage capacity of 340 kg configures with below mentioned modular cube and flake ice makers. The door is fitted with gasket for high thermal efficiency.

The bin configures with:

Icemakers W56cm: IM-130A, IM-240A, FM-150/300/480/600, KMD-210, KMD 270

Icemakers 2 x W56cm: KMD-210, KMD-270, Others

Icemakers W76cm: FM-750/1000/1200, KM-470AJE

Icemakers W122cm: KM-590DJE

Other icemakers: FM-1800, IM-240D

Top kits required:

Icemakers W56cm: TK 8D + TK 18D

Icemakers 2 x W56cm: TK 4DM + TK 4DR

Icemakers 2 x W56cm, Others: TK 4DM

Icemakers W76cm: TK-18D

Icemakers W122cm: No

Icemaker FM-1800: TK-FM 1800

Icemaker IM-240D: TK IMD2

- Sturdy construction
- Upward opening door fitted with an insulating gasket
- Easy removable gasket for cleaning or replacement
- ABS plastic, light-weight, insulated door
- Door opening angle allows for stable rest position during ice scooping
- Stainless steel front and sides
- Non-corrosive innerlining of polyethylene
- Innerlining with rounded corners allows for faster collection of ice
- Rounded and smooth surfaces
- Adjustable legs 90-135 mm
- Back-panel drain connection
- FCM compliant (Food Contact Material)

ACCESSORIES INCLUDED

Legs, Scoop, Scoop holder

OPTIONAL EXTRAS

Topkits TK-30 and TK-48 (insulation strips for extra insulation). If 2 different 56cm devices are placed next to each other, a bin divider must be ordered in addition

WARRANTY PERIOD

3 Years on Parts & Labour

EXTERIOR

Stainless steel, galvanized steel (rear), plastic door

INTERIOR

Polyethylene

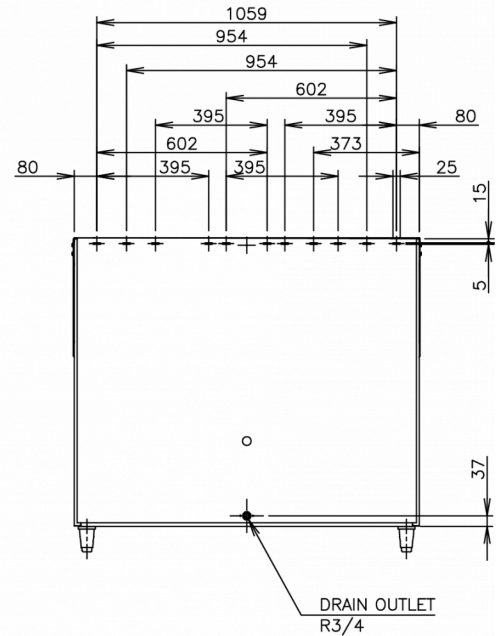
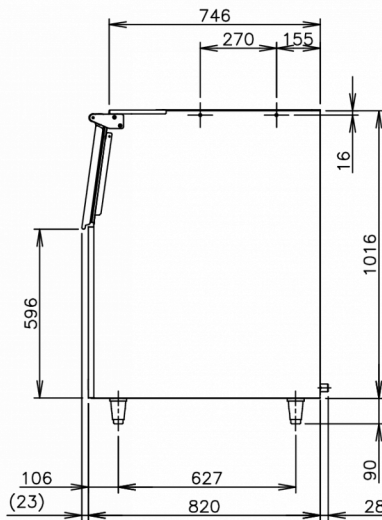
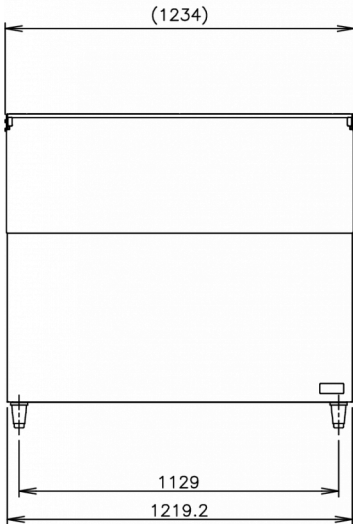
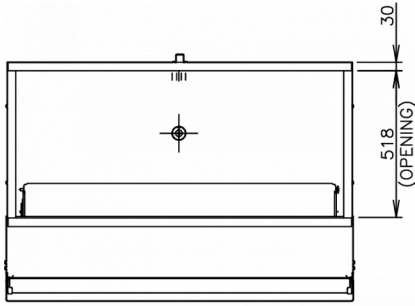
CERTIFICATIONS





HOSHIZAKI

B-340SB



TECHNICAL SPECIFICATIONS

Width	Depth	Height	Dimensions legs	Net weight	Storage bin capacity
1,219.2 mm	820 mm	1,016 mm	For legs add 90-135mm	64 kg	340 kg

SHIPPING SPECIFICATIONS

Width (packed)	Depth (packed)	Height (packed)	Volume (packed)	Gross weight
1,328 mm	928 mm	1,194 mm	1.472 m ³	84 kg

Disclaimer: Every effort has been made to ensure that the information contained in this spec sheet is accurate at the time of publishing. Hoshizaki Europe BV assumes no responsibility or liability for typographical errors or omissions or for any misinterpretation of the information within the publication and reserves the right to change without notice.

Please observe: Allow 10 mm extra space at the installation site to meet any installation requirements (additional spacing is also required for proper air flow and water connections).



Hoshizaki Belgium
 Hoshizaki Danmark
 Hoshizaki Deutschland
 Hoshizaki France
 Hoshizaki Iberia
 Hoshizaki Italia
 Hoshizaki Middle East

info@hoshizaki.nl
info@hoshizaki.dk
vertrieb@hoshizaki.de
info@hoshizaki.fr
info@hoshizaki.es
commerciale@hoshizaki.it
sales.ex@hoshizaki-europe.com

Hoshizaki Netherlands info@hoshizaki.nl
 Hoshizaki Norge salg@hoshizaki.no
 Hoshizaki Sverige orderSE@hoshizaki.dk
 Hoshizaki UK uksales@hoshizaki.uk
 Export countries sales.ex@hoshizaki-europe.com
 Other countries sales.ex@hoshizaki-europe.com

www.hoshizaki.uk