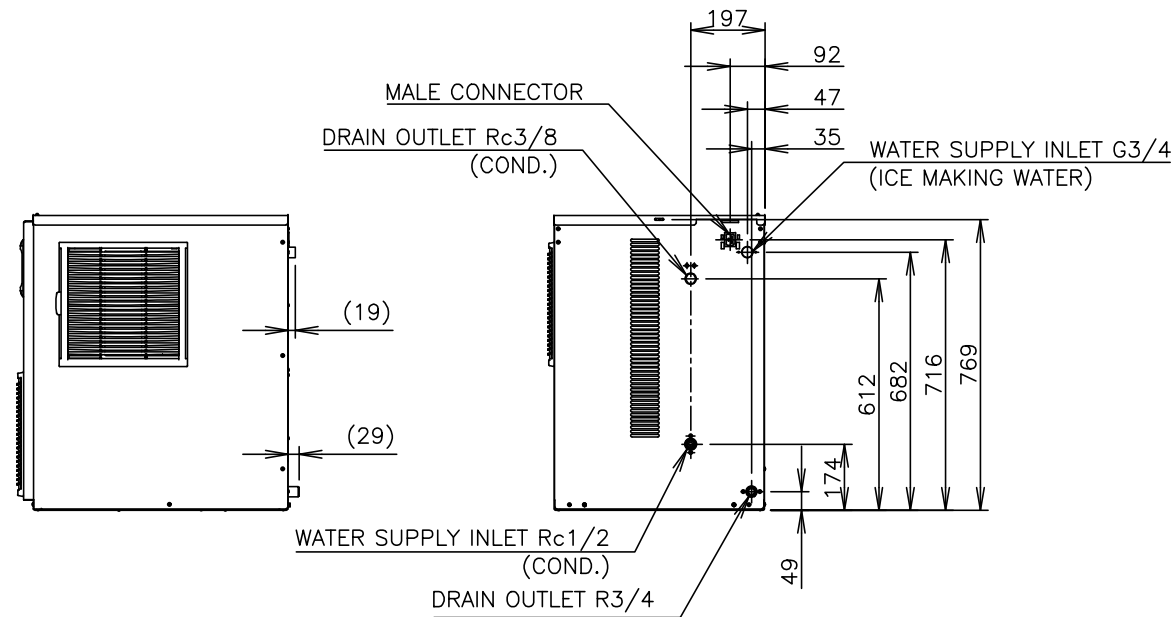
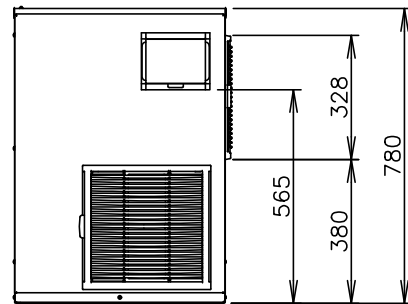
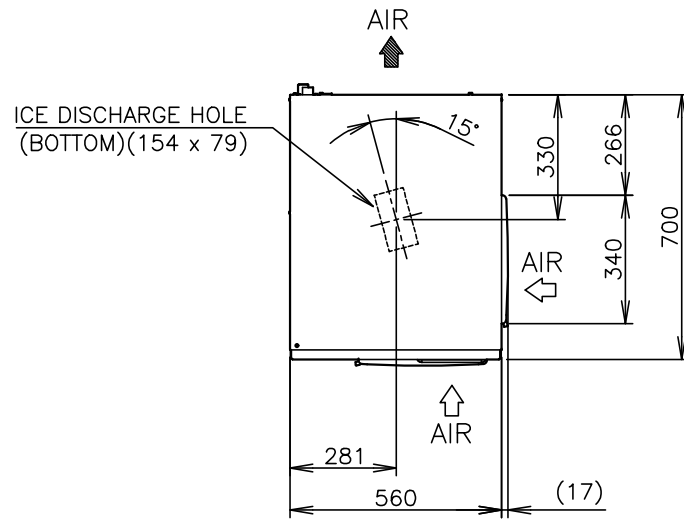


ITEM	HOSHIZAKI NUGGET ICE MAKER
MODEL	FM-480AWKE-R452N-SB
POWER SUPPLY	1 Phase 220-240V 50Hz Capacity: 2.7kVA (11.7A)
AMPERAGE	7.1A Starting: 43A
ELECTRIC CONSUMPTION	1450W (Power Factor: 88%)
ICE PRODUCTION PER 24h	Approx. 380kg (Ambient Temp 10°C, Water Temp 10°C) Approx. 350kg (Ambient Temp 21°C, Water Temp 15°C) Approx. 320kg (Ambient Temp 32°C, Water Temp 21°C)
POTABLE WATER CONSUMPTION PER 24h	Approx. 0.38m ³ (AT. 10°C, WT. 10°C) Approx. 0.35m ³ (AT. 21°C, WT. 15°C) Approx. 0.32m ³ (AT. 32°C, WT. 21°C)
CONDENSER WATER CONSUMPTION PER 24h	Approx. 1.180m ³ (AT. 10°C, WT. 10°C) Approx. 1.652m ³ (AT. 21°C, WT. 15°C) Approx. 2.440m ³ (AT. 32°C, WT. 21°C)
SHAPE OF ICE	Nugget
MAX STORAGE CAPACITY	Not Applicable
OUTSIDE DIMENSIONS	560 (W) x 700 (D) x 780mm (H)
INSULATION	Urethane Foam
INSULATION FOAM BLOWING AGENT	HFO-1233zd
CABINET	Stainless Steel, Galvanized Steel (Rear)
ICE MAKING SYSTEM	Thin ice forming inside Cylinder (Nugget Ice)
WATER SUPPLY SYSTEM	Direct Connection to Water Main, Inlet: G3/4, Cond.Inlet: Rc1/2 (Rear)
DRAIN SYSTEM	Outlet: R3/4, Cond.Outlet Rc3/8 (Rear)
COMPRESSOR	Hermetic
CONDENSER	Tube in Tube Type, Water-cooled
EVAPORATOR	Tube coiled around Cylinder (Solder Plated)
REFRIGERANT	R452A/370g
BIN CONTROL	Actuator and Reed Switch (Time delay controlled)
ICE MAKING WATER CONTROL	Float Switch and Solenoid Valve
ELECTRIC CIRCUIT PROTECTION	Circuit Breaker, Earth Wire
REFRIGERANT CIRCUIT PROTECTION	Compressor Internal Thermostat (Auto-reset), Pressure Switch (Auto-reset)
MECHANISM PROTECTION	Microswitch (Manual-reset)
ICE MAKER PROTECTION	Shutdown by Microprocessor (Manual-reset)
WEIGHT	95kg (Gross 102kg)
PACKAGE	Carton 665 (W) x 820 (D) x 950mm (H)
ACCESSORIES	Mounting Bracket, Installation Kit
OPERATING CONDITIONS	Ambient Temp: 5-40°C, Water Supply Temp: 5-35°C Water Supply Pressure: 0.05-0.8MPa (0.5-8bar) Voltage Range: Rated Voltage±10%

*We reserve the right to make changes in specifications and design without prior notice.

1. Install the ice maker properly in accordance with the instructions on location, water supply/drain connections and electrical connections stated in the instruction and installation manuals provided.
2. The ice production depends on the ambient and water temperatures. Refer to the instruction manual.
3. Use a cooling tower for cooling water.
4. Product Code: F082-C223



HOSHIZAKI NUGGET ICE MAKER FM-480AWKE-R452N-SB [Auger Type]

APPROVED NISHIO	CHECKED MIZUTANI	DESIGNED SHIBATA	DRAWN UEDA	SCALE 1/20	TRIGONOMETRY
*	*	△	****	DATE 2019.11.08	DRAWING NO. D27600
APPROVED	DESIGNED	SYMBOL	DATE		SYMBOL △